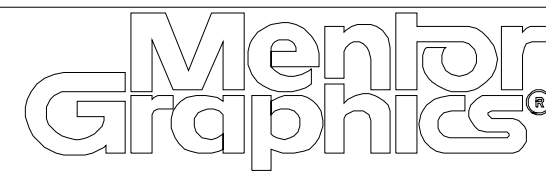
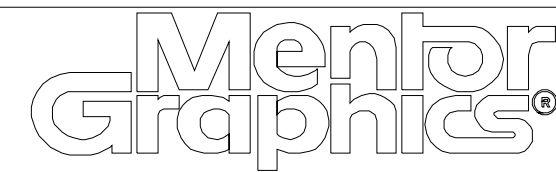
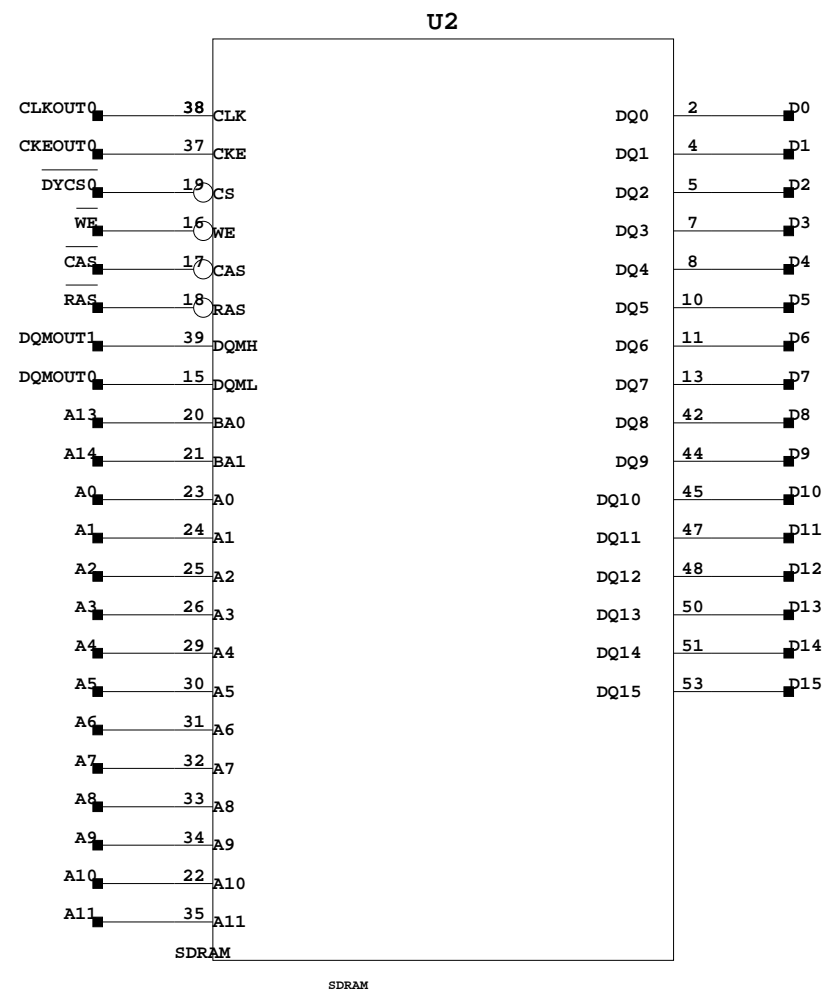


LPC2478FINAL



TITLE		AFRObot	
SIZE	DWG NO	REV	
B		0	
SCALE	SHEET	of	
	1	2	
DRAWN BY		10-1-2003_18:33	
<YOUR NAME HERE>			



TITLE			
AFRObot			
SIZE	DWG NO	SHEET	REV
B		of	0
SCALE	SHEET of		10-1-2003_18:33
<YOUR NAME HERE>	sdrAm 2		

4

3

2

1

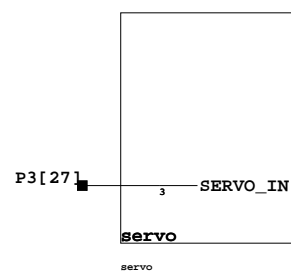
B

B

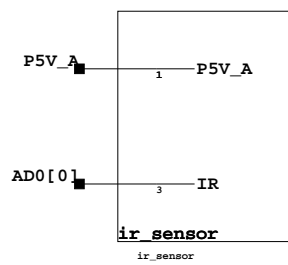
A

A

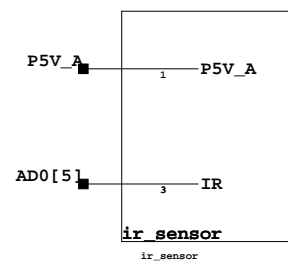
J1



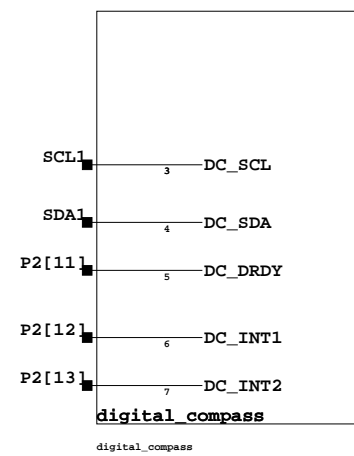
J2



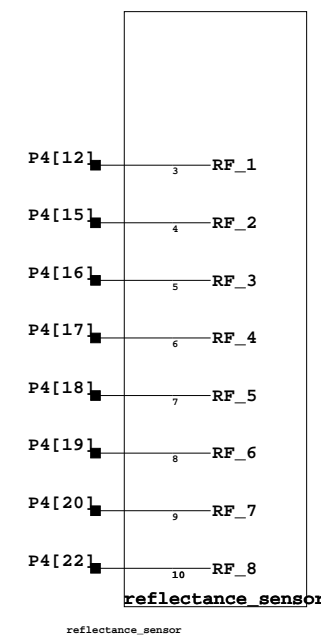
J3



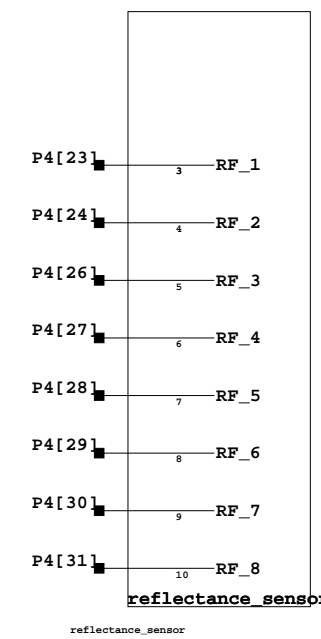
J4



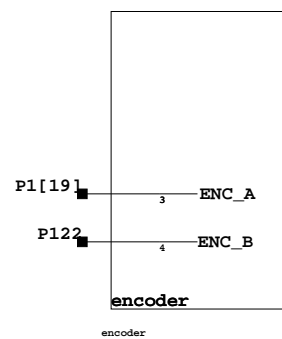
J5



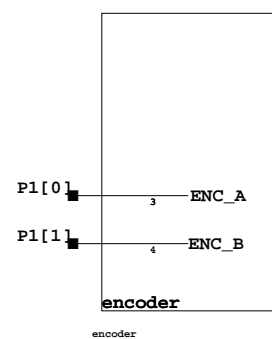
J6



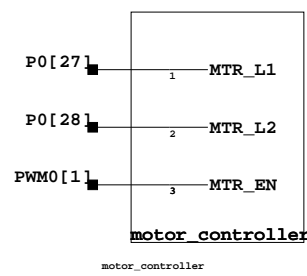
J7



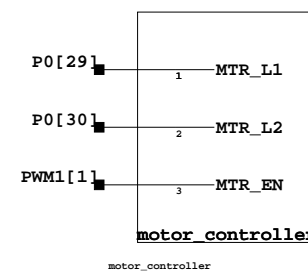
J8



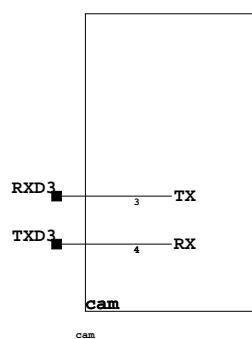
J9



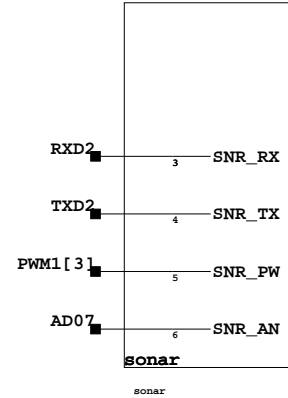
J10



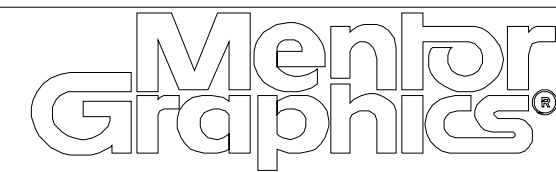
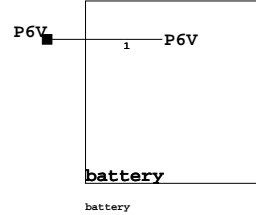
J12



J13



J11



TITLE		
AFRObot		
SIZE	DWG NO	REV
B		0
SCALE	SHEET of	10-1-2003_18:33
	connectors	

DRAWN BY
<YOUR NAME HERE>

4

3

2

1

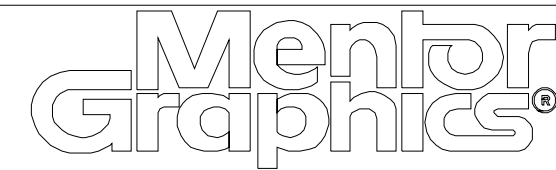
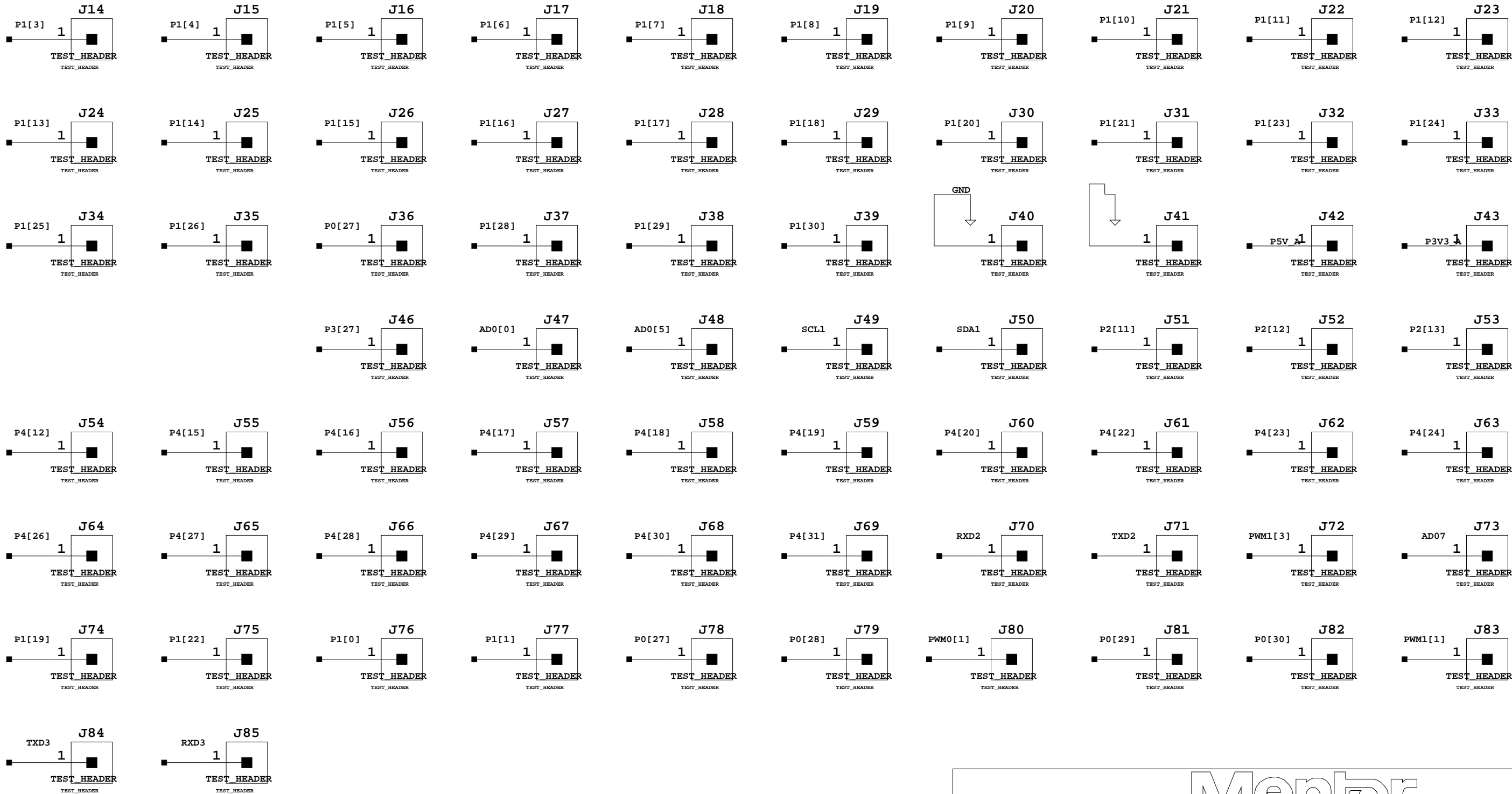
A

4

3

2

1



TITLE			
AFRObot			
SIZE	DWG NO	REV	
B		0	
SCALE	SHEET	of	10-1-2003_18:33
		test pin 6	

DRAWN BY
<YOUR NAME HERE>

4

3

2

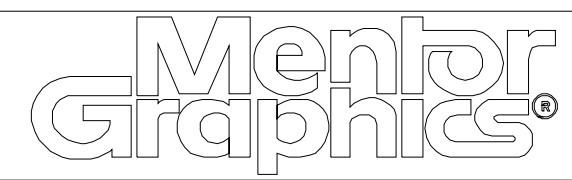
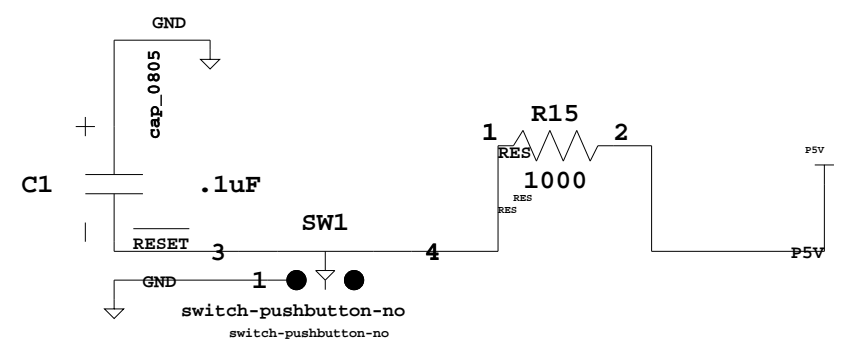
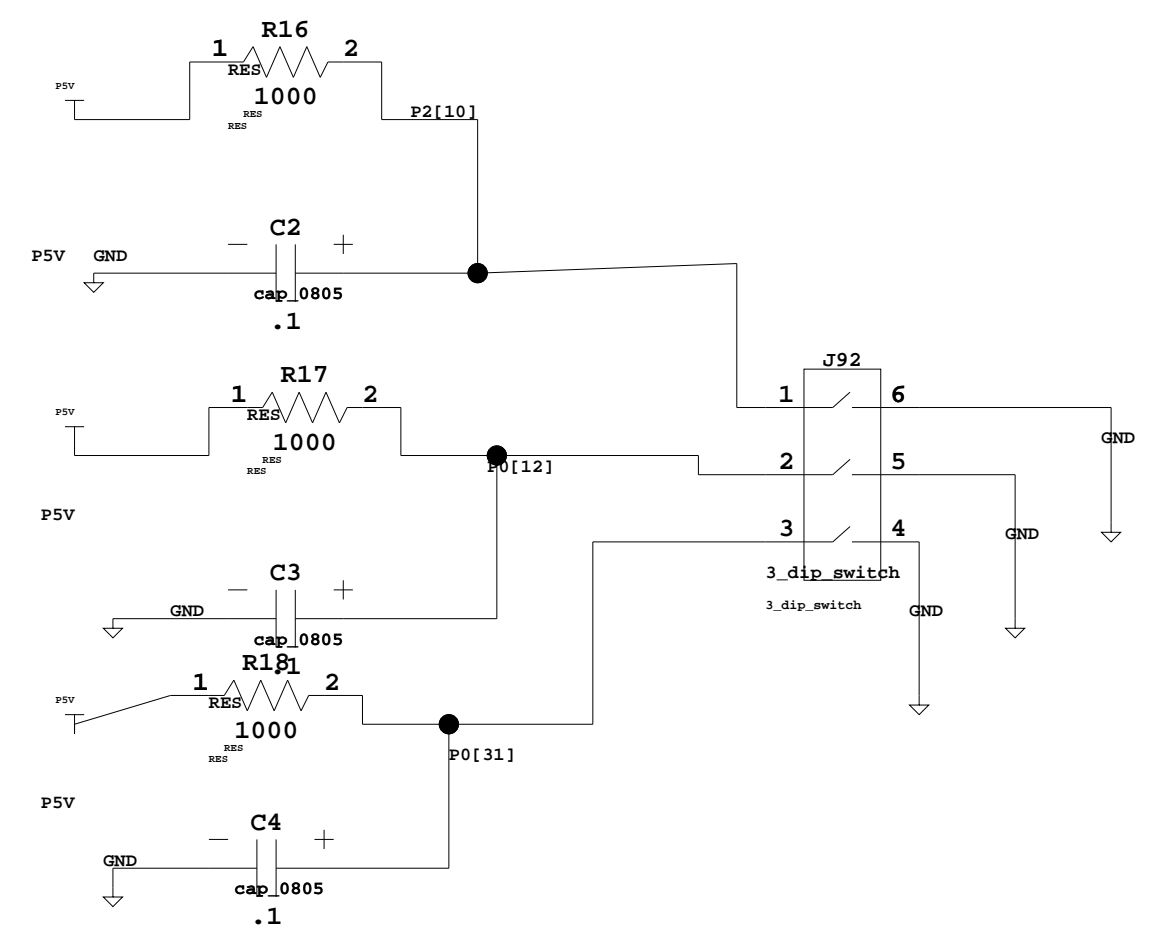
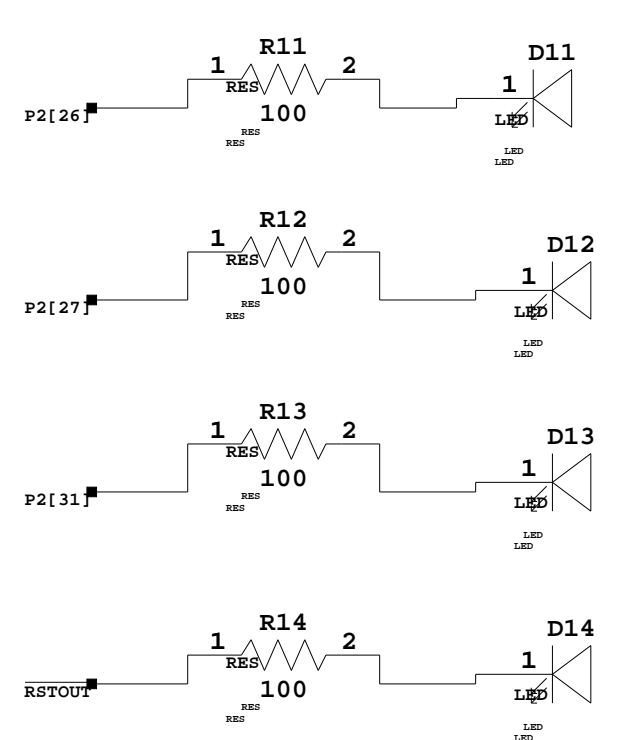
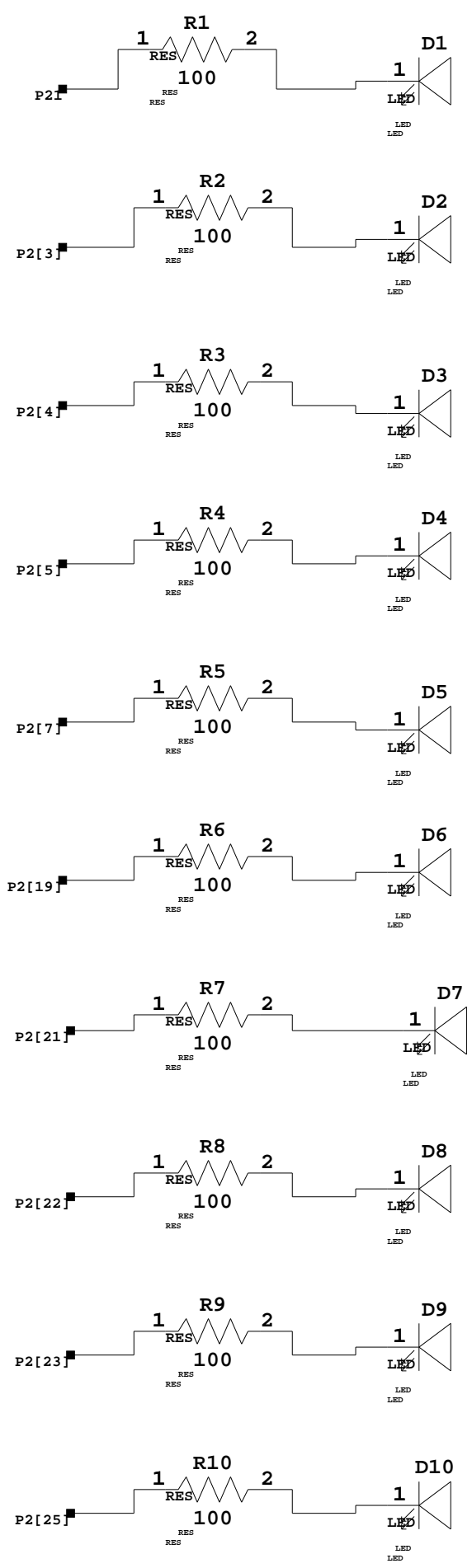
1

4

3

2

1



AFRObot

TITLE			
AFRObot			
SIZE	DWG NO	REV	
B		0	
DRAWN BY	SCALE	SHEET of	DATE
<YOUR NAME HERE>		leds/switches	10-1-2003_18:33

4

3

2

1

4

3

2

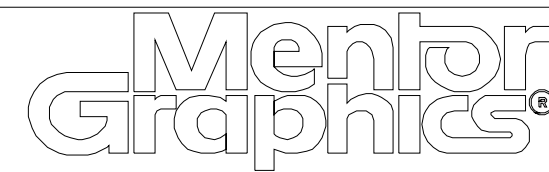
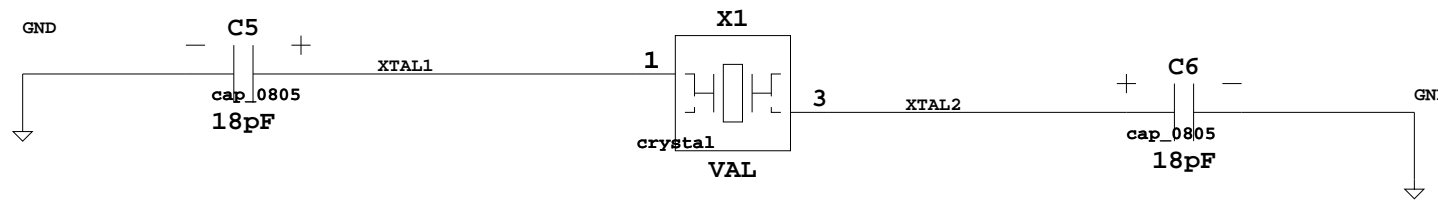
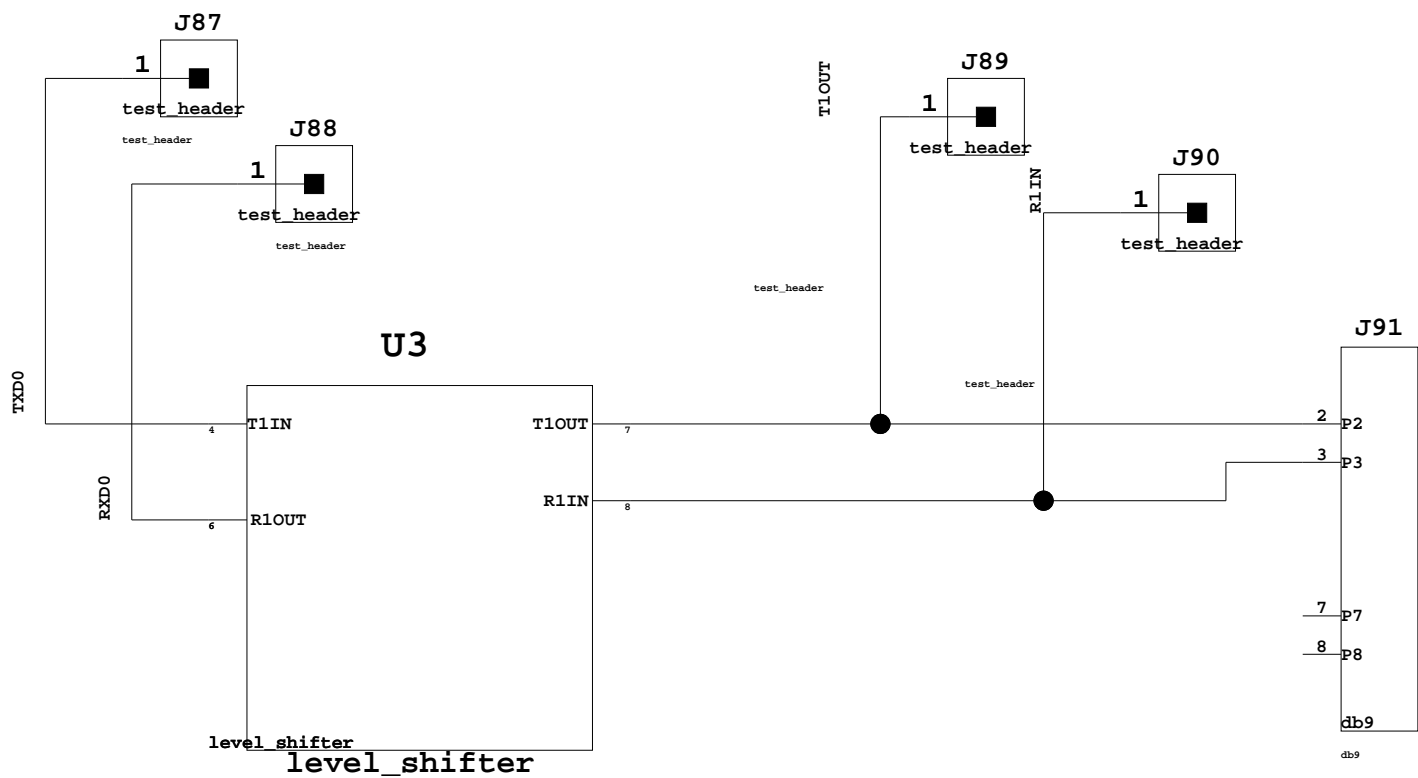
1

B

B

A

A



TITLE			
AFRObot			
SIZE	DWG NO	REV	
B		0	
SCALE	SHEET	of	DATE
	6	6	10-1-2003_18:33

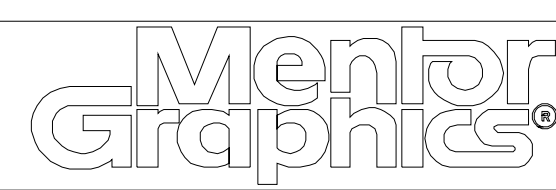
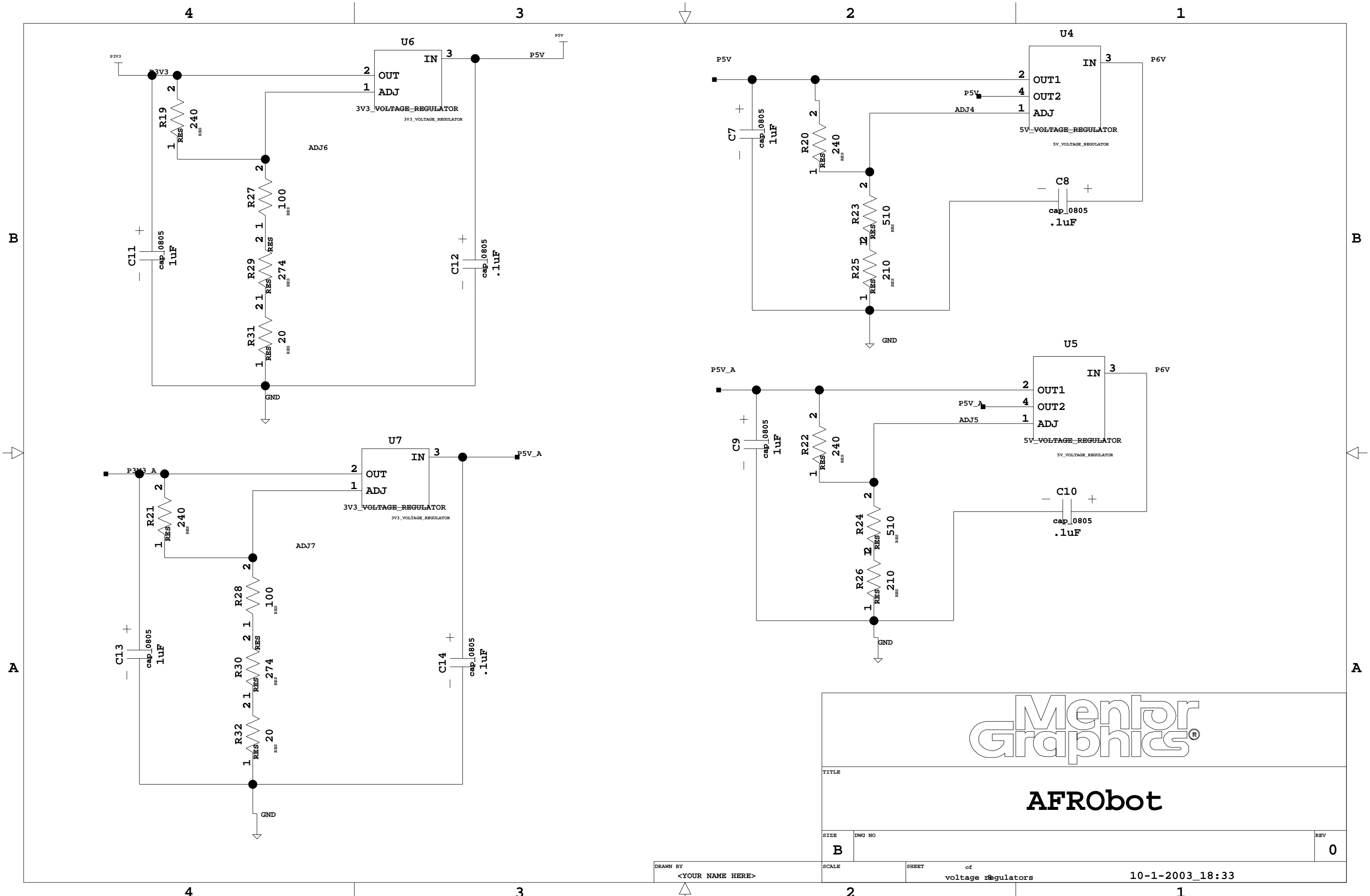
DRAWN BY
<YOUR NAME HERE>

4

3

2

1



AFRObot

TITLE			
SIZE	DWG NO	REV	
B		0	
SCALE	SHEET	of	10-1-2003_18:33
		voltage regulators	

DRAWN BY
<YOUR NAME HERE>

4

3

2

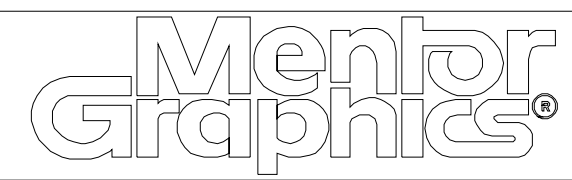
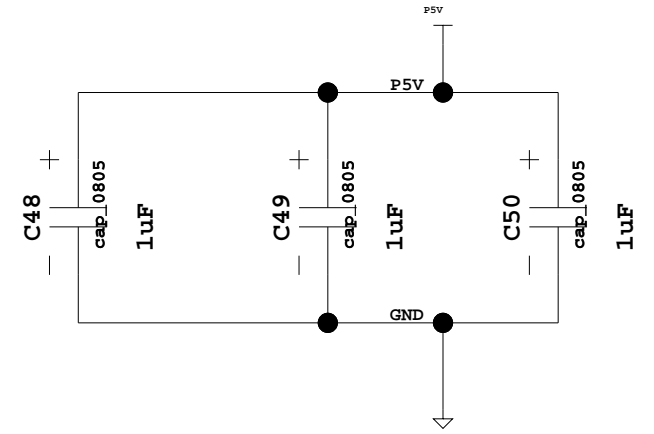
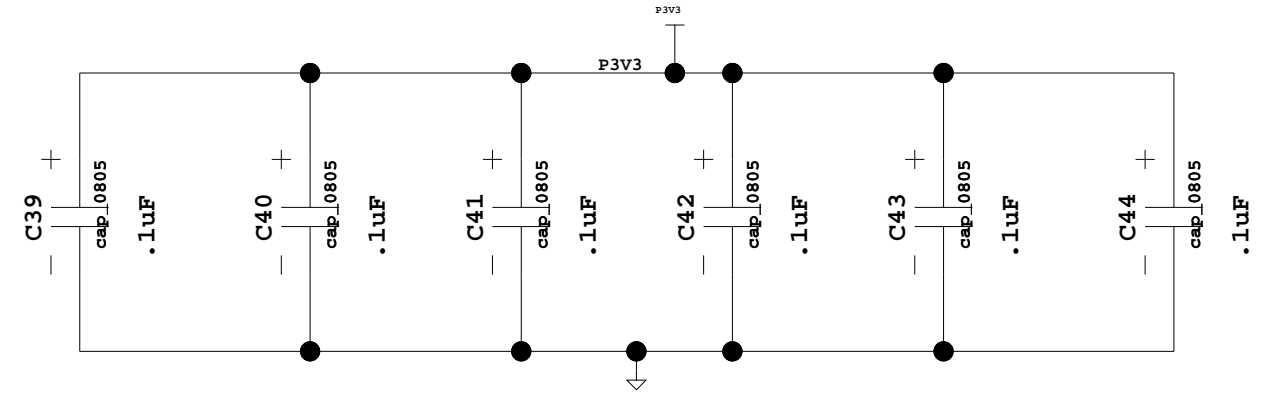
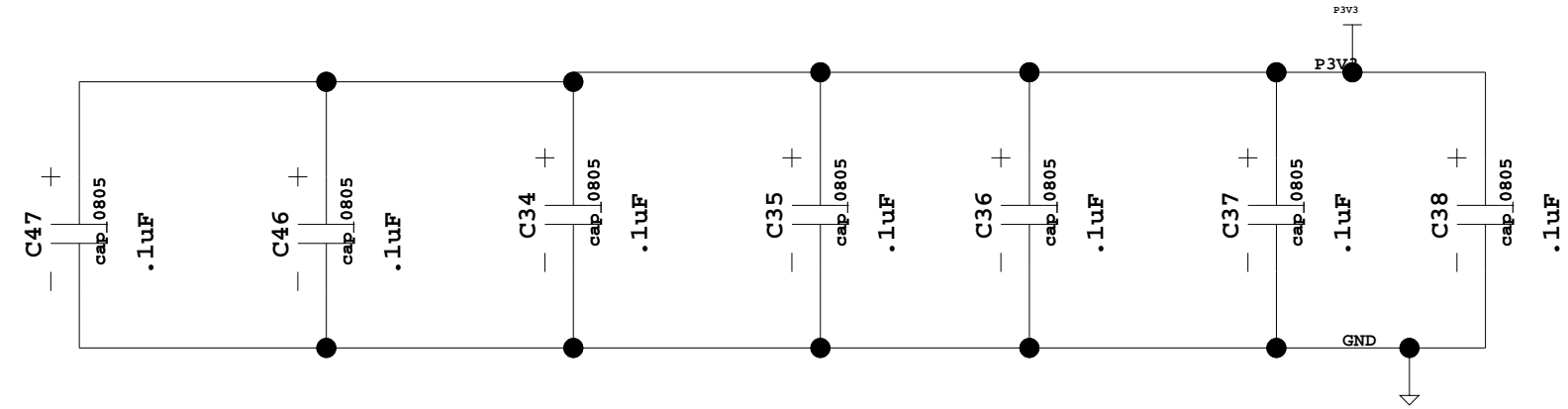
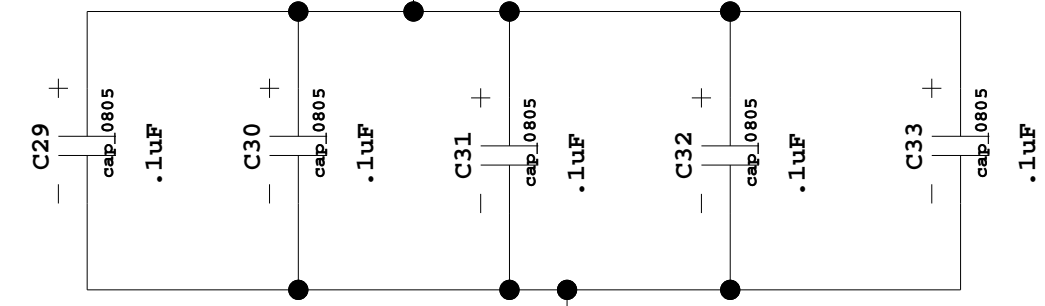
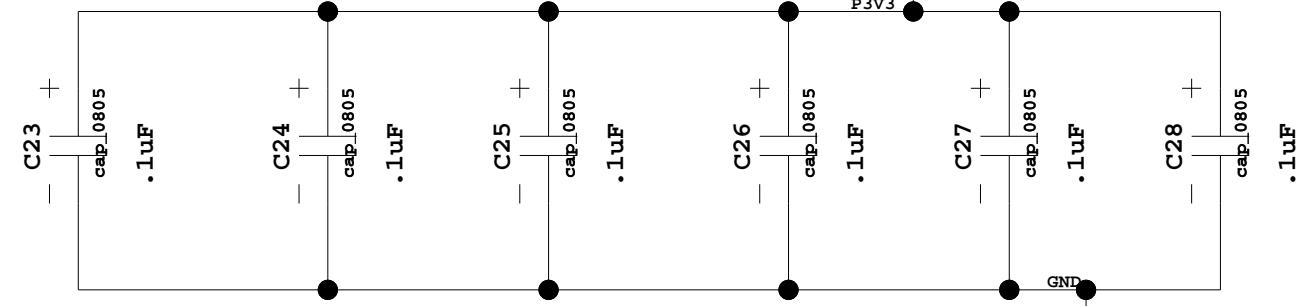
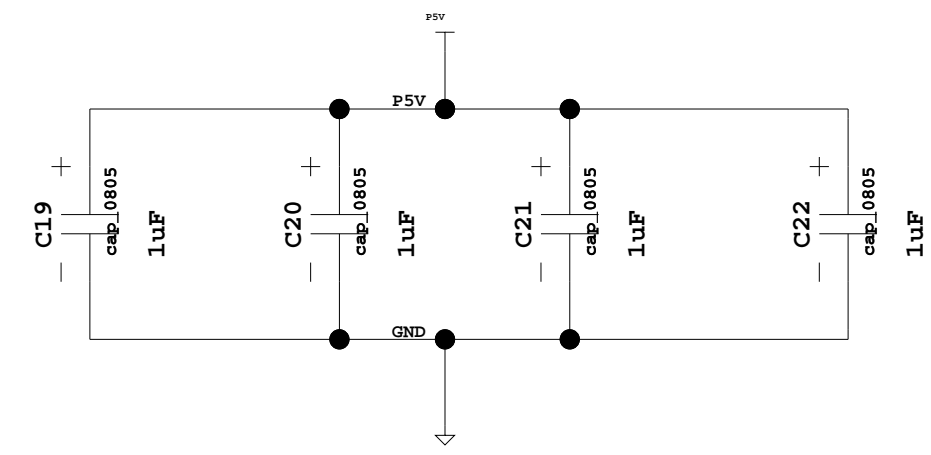
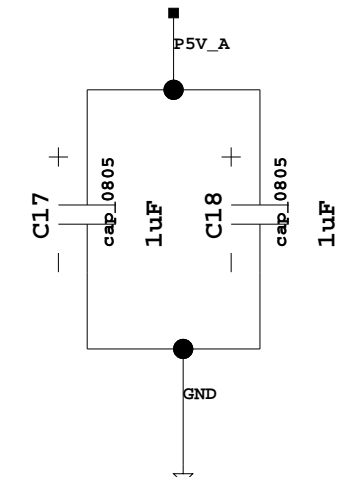
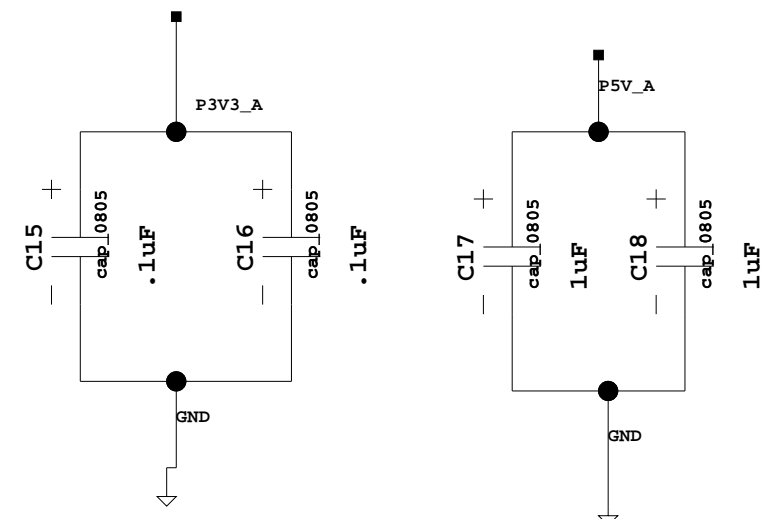
1

B

B

A

A



BSHEET

TITLE			
SIZE	DWG NO	REV	
B		0	
SCALE	SHEET	of	DATE
	1	2	10-1-2003_18:33

DRAWN BY
<YOUR NAME HERE>

4

3

2

1

A