

NXP LPC2478
 REF: LPC2478

Team Members:
 Nicholas Maddy
 Tim Dayley
 Kevin Liou

Mentor Graphics

TITLE: **M.A.D. Dog - Control**

SIZE: C DWG NO: 1 of 6 REV: 2

SCALE: SHEET: 1 of 6

DATE: 12 - 07 - 2012

4

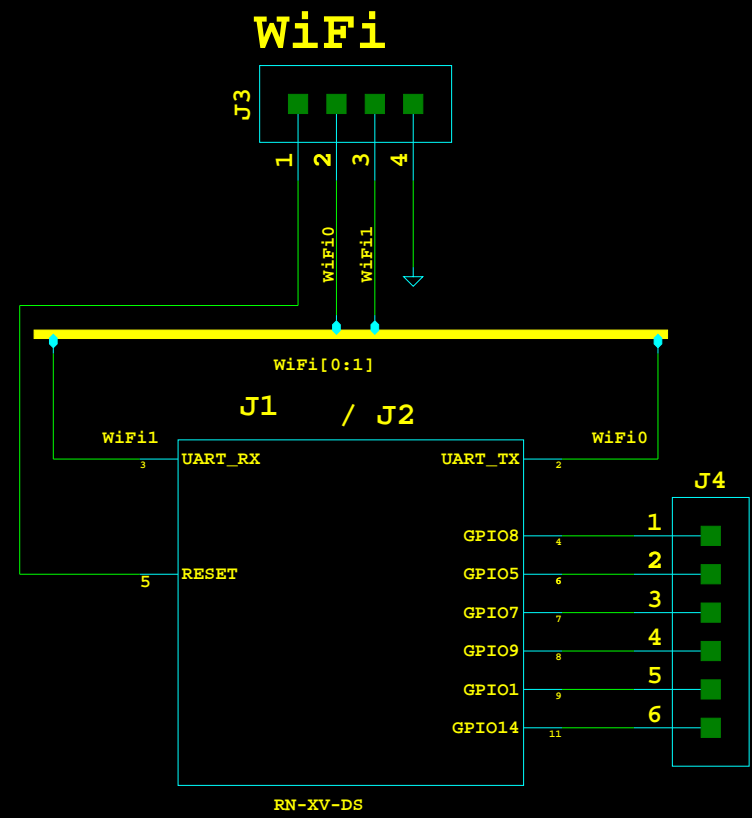
3

2

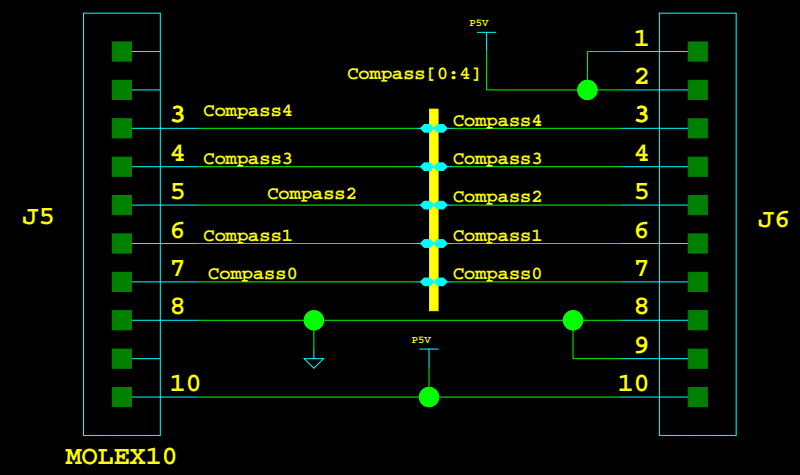
1

B

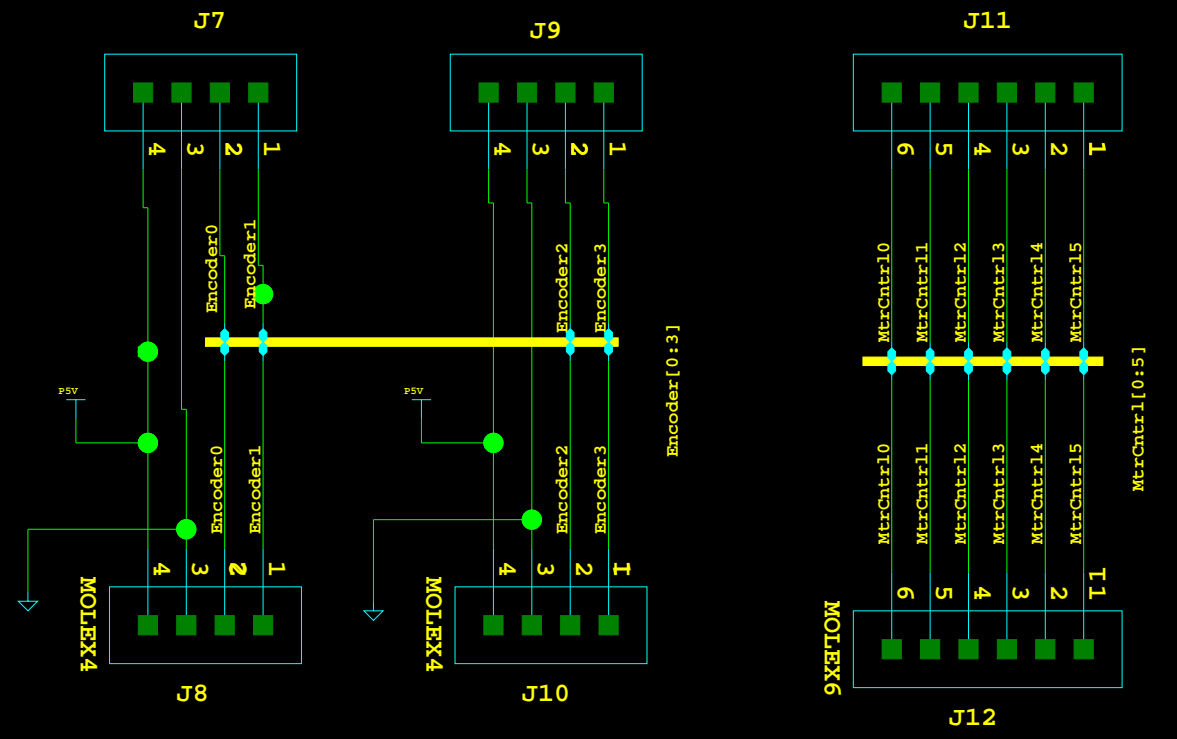
B



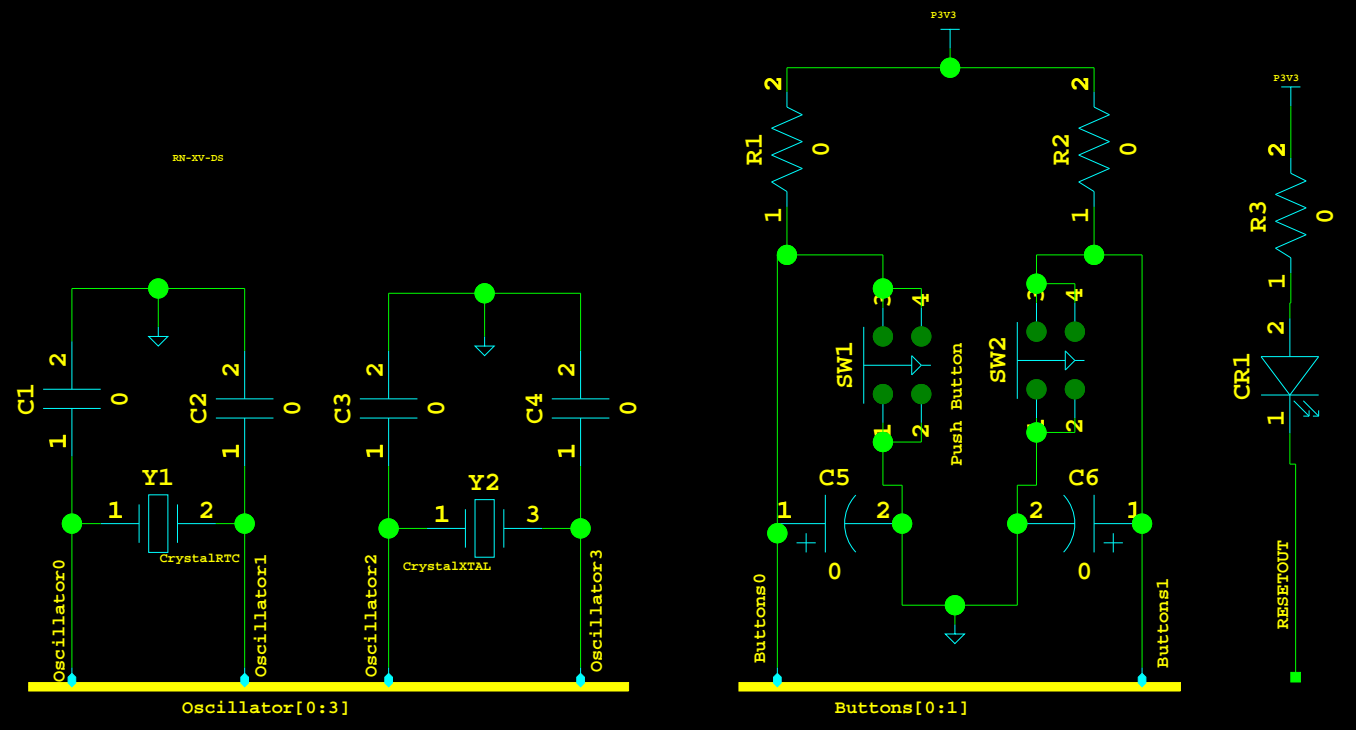
Compass



Motors



Processor Interface



A

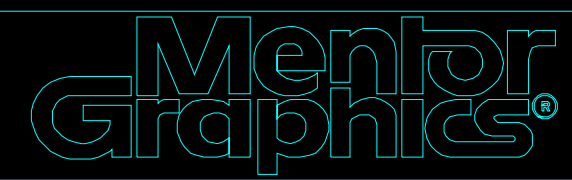
A

4

3

2

1



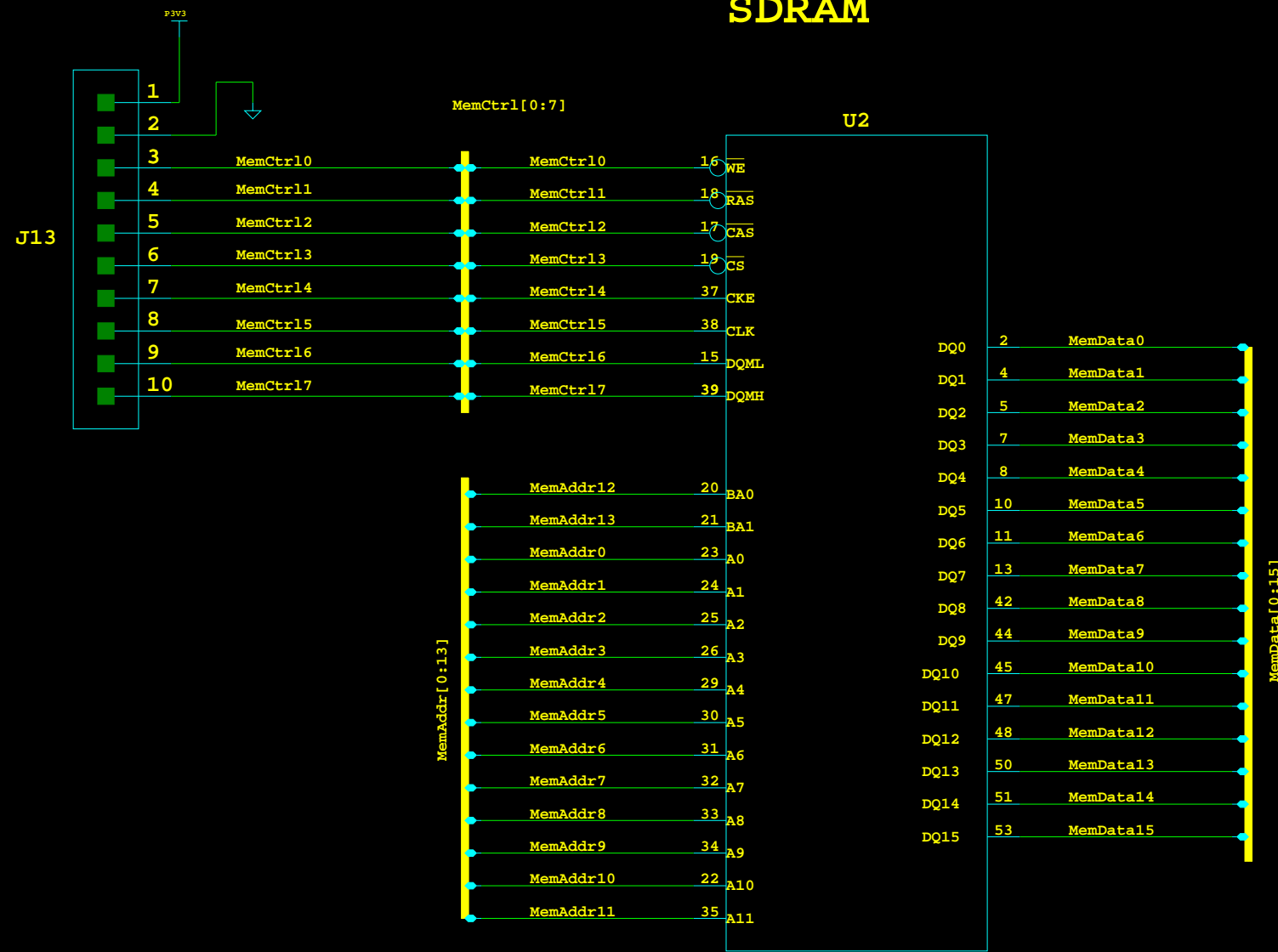
M.A.D. Dog - Control

Team Members:
 Nicholas Maddy
 Tim Dayley
 Kevin Liou

DRAWN BY
 Nicholas Maddy

TITLE		REV	
M.A.D. Dog - Control		2	
SIZE	DWG NO	SHEET 2 of 7	
B		12 - 07 - 2012	
SCALE			

SDRAM



SDRAM
MT48LC8M16A2



TITLE

M.A.D. Dog - Memory

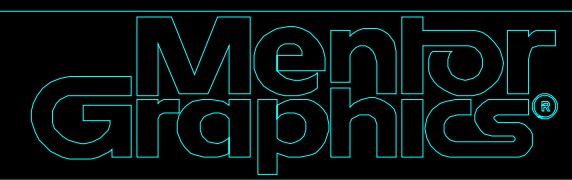
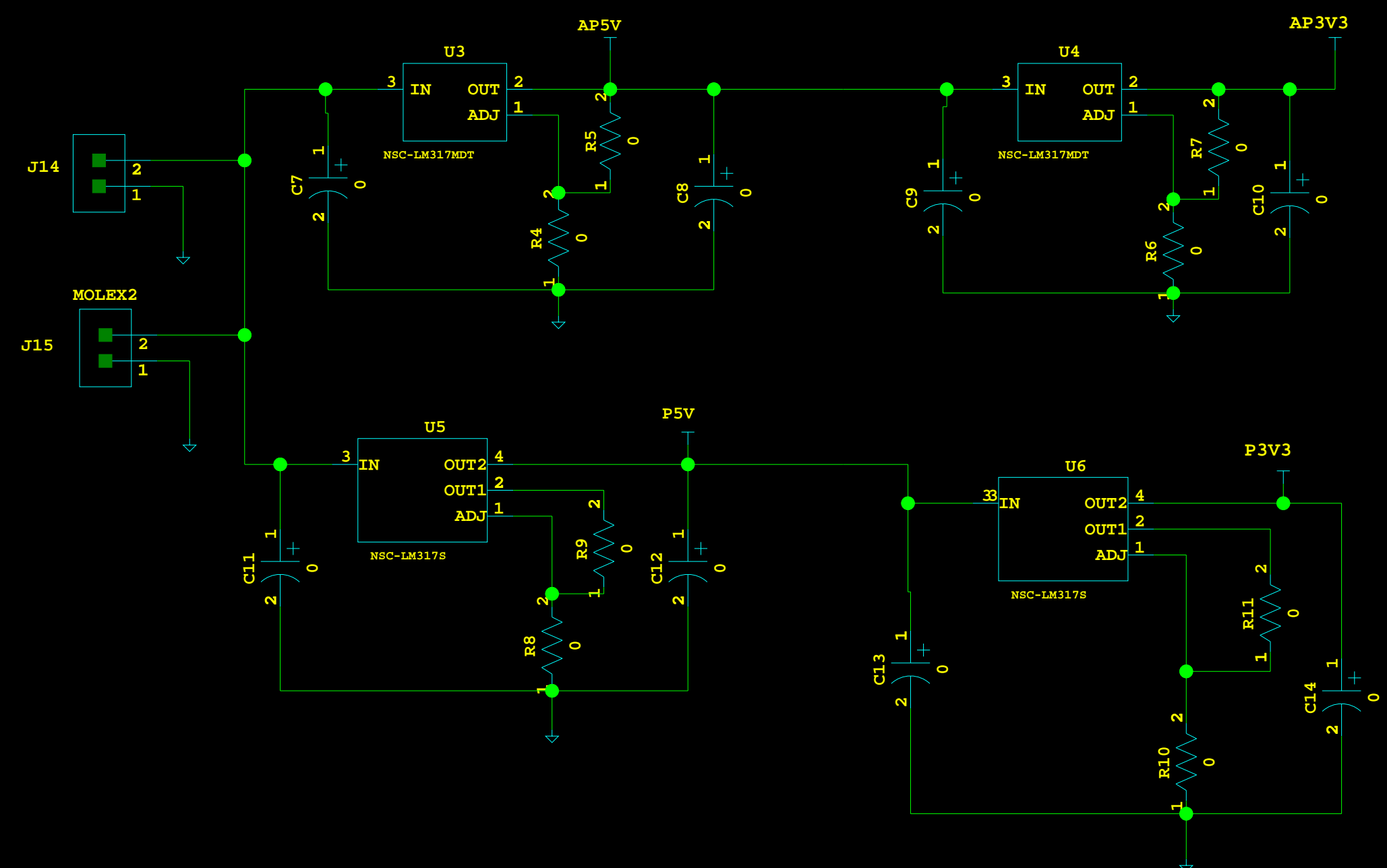
Team Members:
 Nicholas Maddy
 Tim Dayley
 Kevin Liou

DRAWN BY
 Nicholas Maddy

SIZE B	DWG NO	REV 2
------------------	--------	----------

SCALE	SHEET 3 of 7	12 - 07 - 2012
-------	--------------	----------------

Voltage Regulators



TITLE		M.A.D. Dog - Power	
SIZE	DWG NO	REV	
B		2	
SCALE	SHEET	4 of 7	
12 - 07 - 2012			

Team Members:
 Nicholas Maddy
 Tim Dayley
 Kevin Liou

DRAWN BY
 Nicholas Maddy

4

3

2

1

B

B

A

A

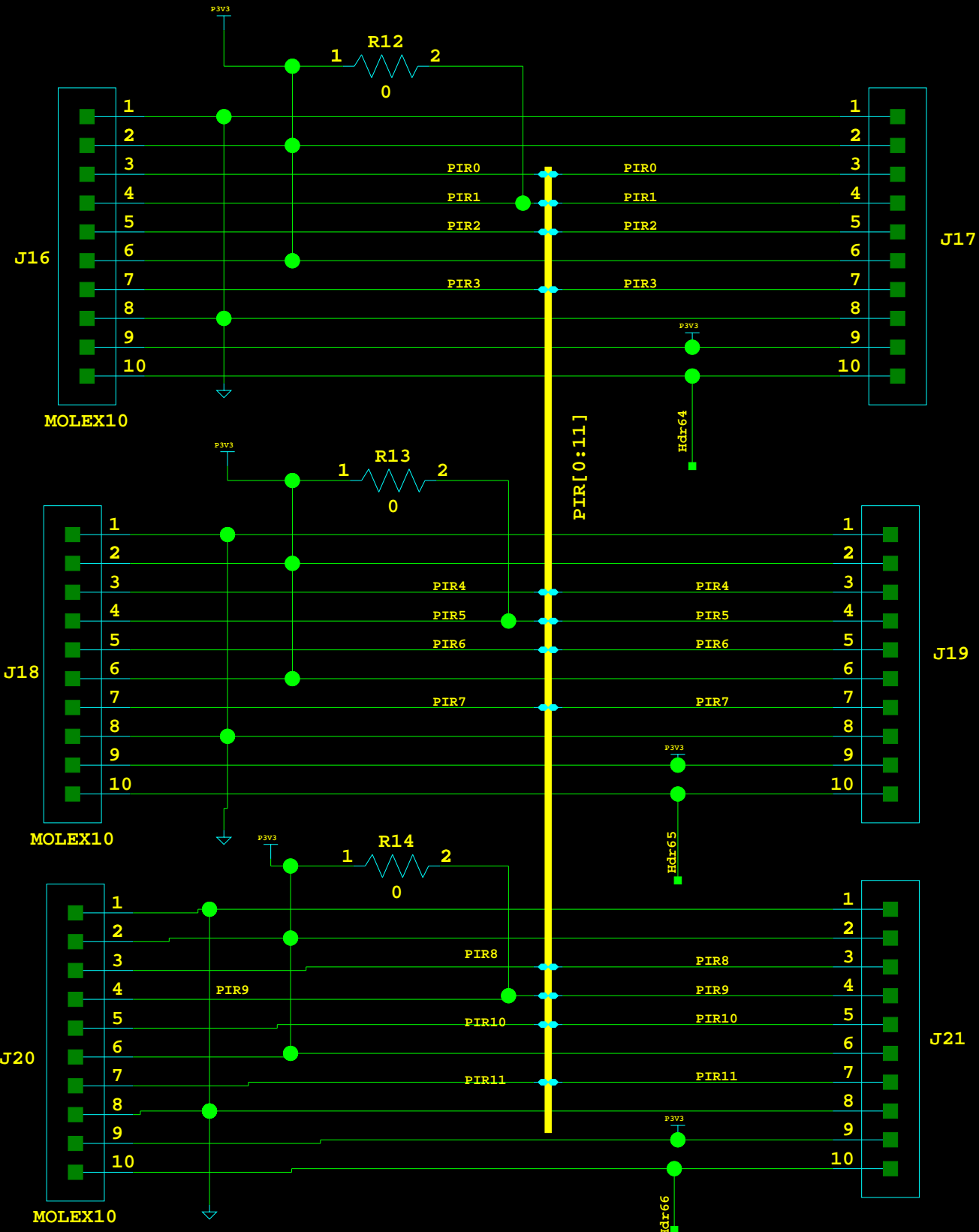
4

3

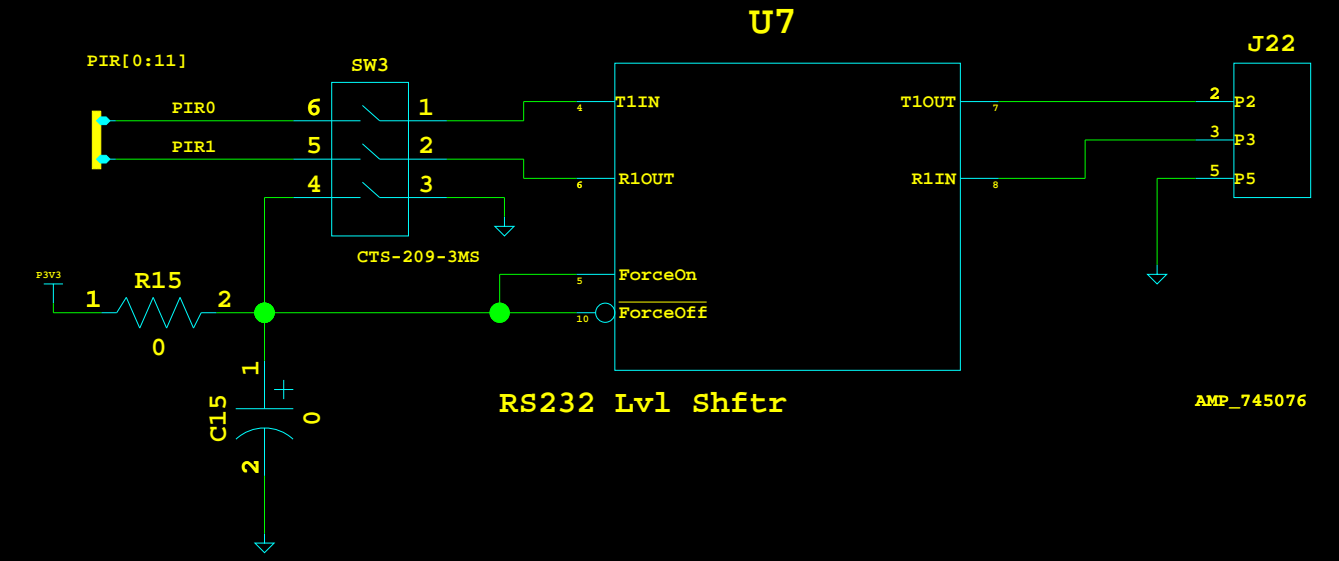
2

1

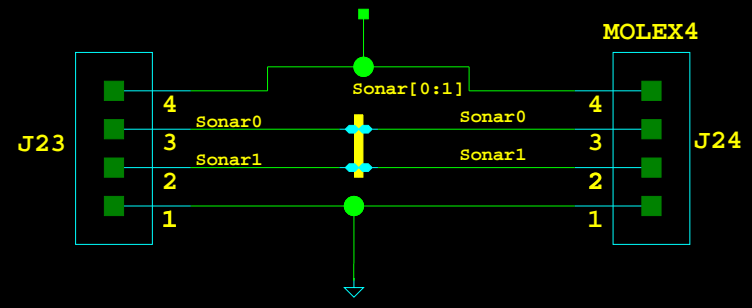
PIR Sensors



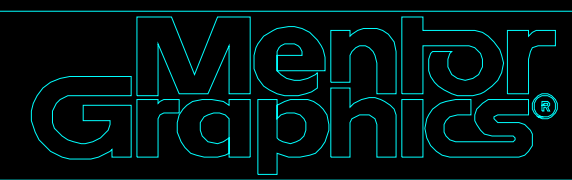
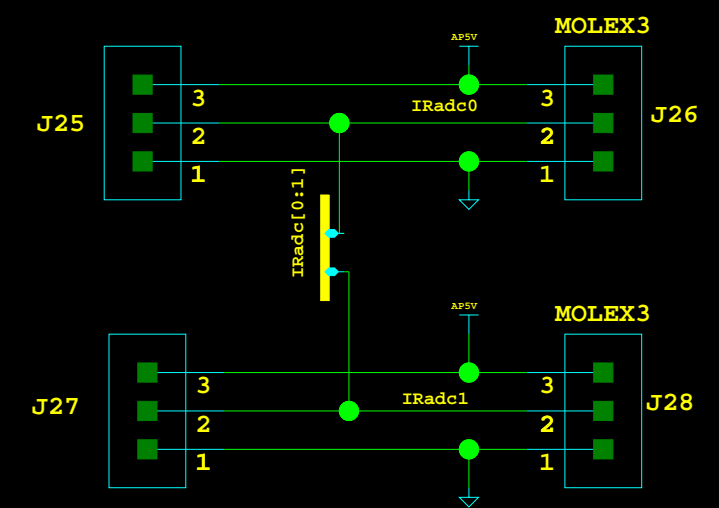
BootLoader



Sonar



IR Rangers



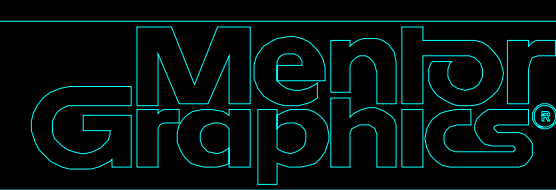
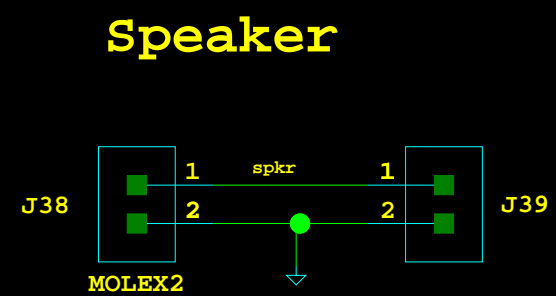
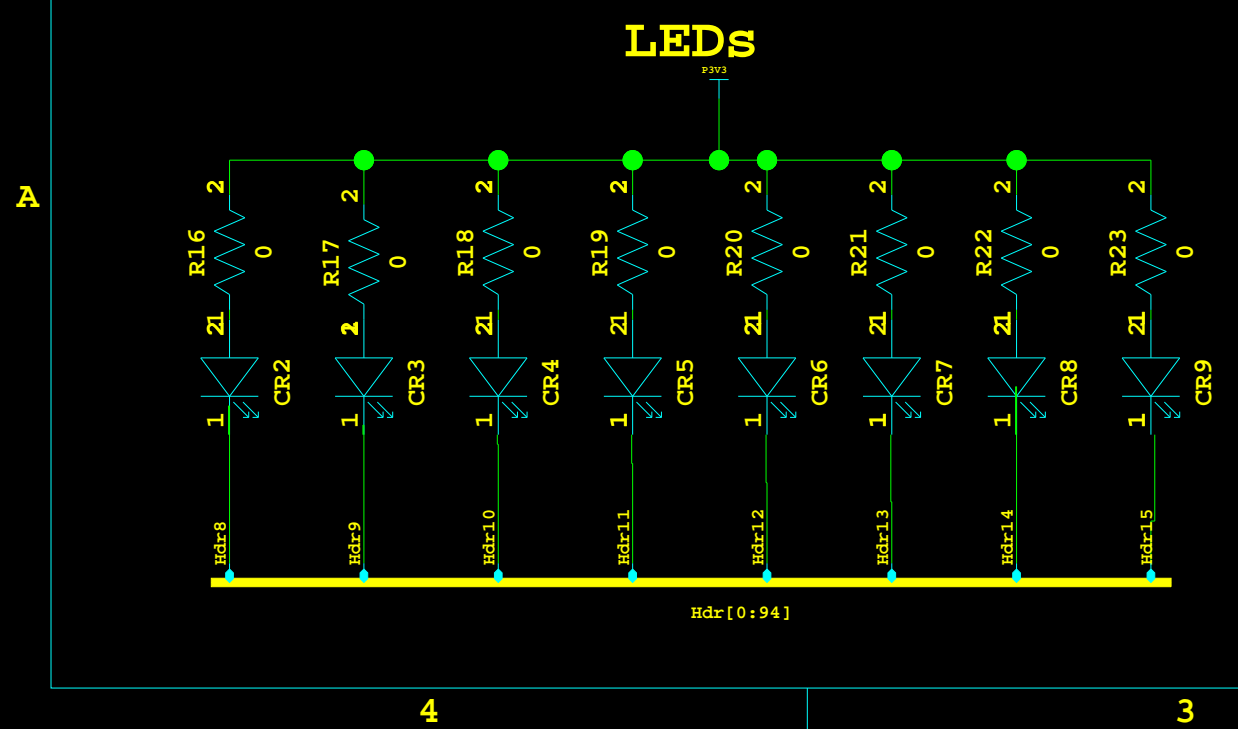
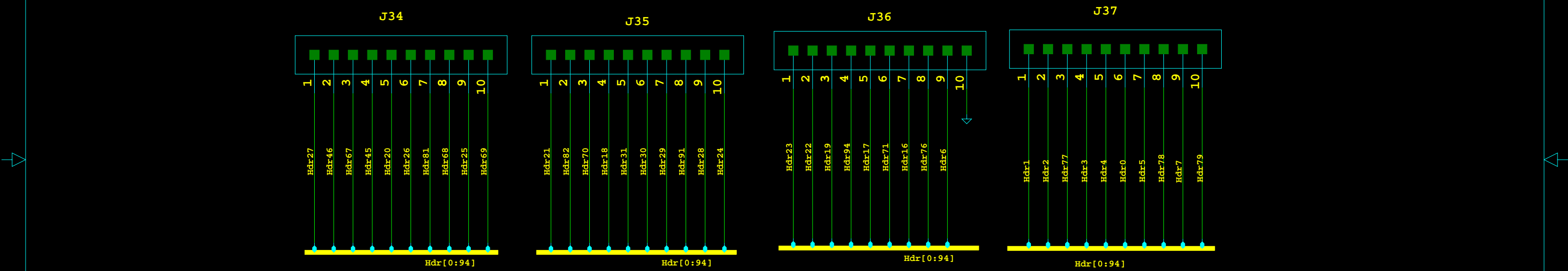
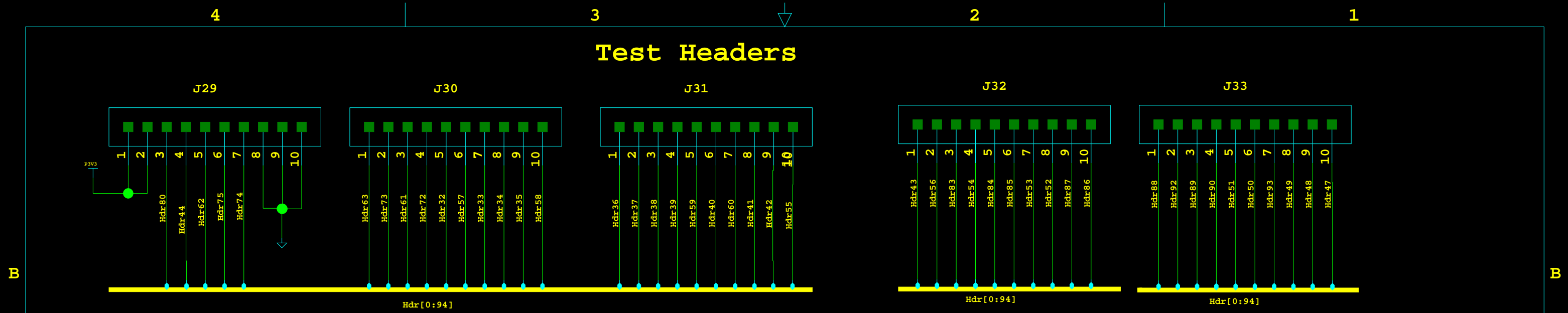
M.A.D. Dog -Sensors

Team Members:
 Nicholas Maddy
 Tim Dayley
 Kevin Liou

DRAWN BY
 Nicholas Maddy

SIZE	DWG NO	REV
B		2
SCALE	SHEET 5 of 7	DATE 12 - 07 - 2012

Test Headers

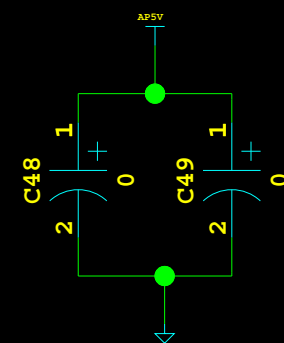
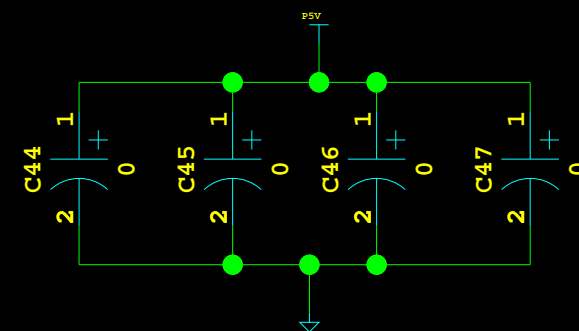
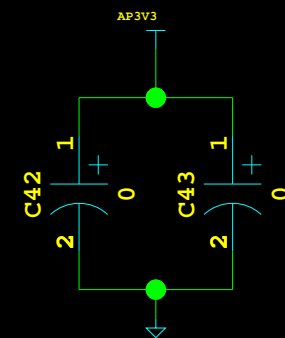
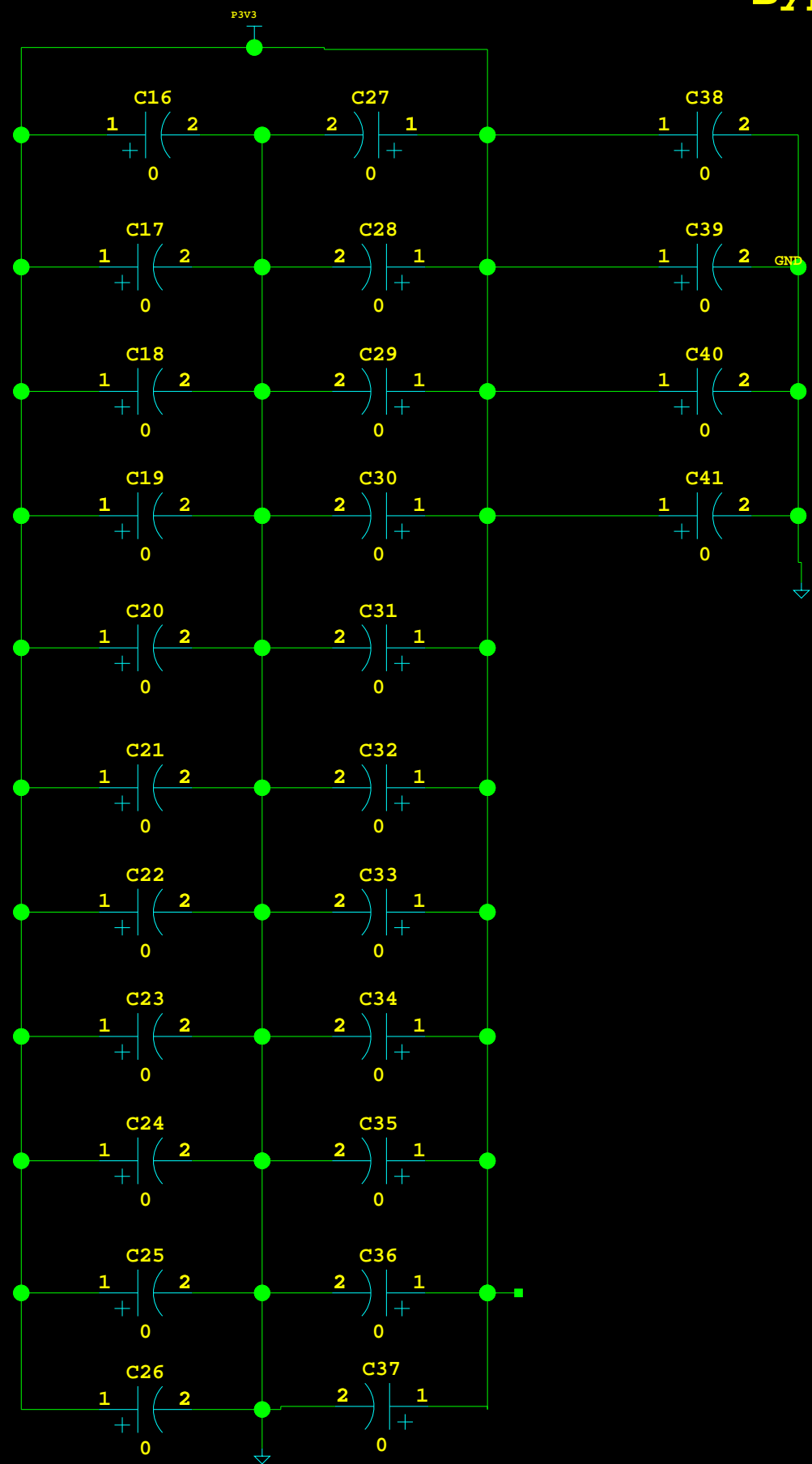


Team Members:
 Nicholas Maddy
 Tim Dayley
 Kevin Liou

DRAWN BY
 Nicholas Maddy

TITLE		M.A.D. Dog - User	
SIZE	DWG NO	REV	
B		2	
SCALE	SHEET	6 of 7	
		12 - 07 - 2012	

Bypass Capacitors



M.A.D. Dog-Capacitors

Team Members:
 Nicholas Maddy
 Tim Dayley
 Kevin Liou

DRAWN BY
 Nicholas Maddy

TITLE	M.A.D. Dog-Capacitors		REV	2
SIZE	B	DWG NO		
SCALE		SHEET	7 of 7	

12 - 07 - 2012