  
**M.U.S.E.**  
 TITLE: \_\_\_\_\_  
 DATE: \_\_\_\_\_  
 DRAWN BY: \_\_\_\_\_  
 CHECKED BY: \_\_\_\_\_  
 PROJECT: \_\_\_\_\_  
 SHEET: \_\_\_\_\_ OF \_\_\_\_\_  
 10-1-2003-10-28

8 7 6 5 4 3 2 1

D

D

C

C

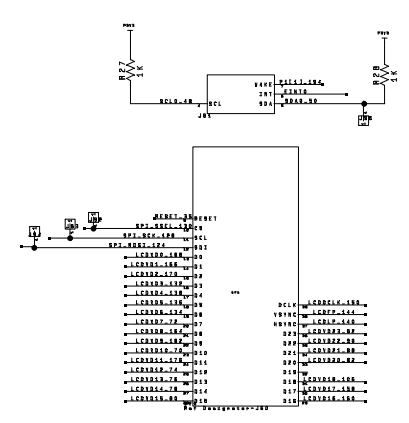
B

B

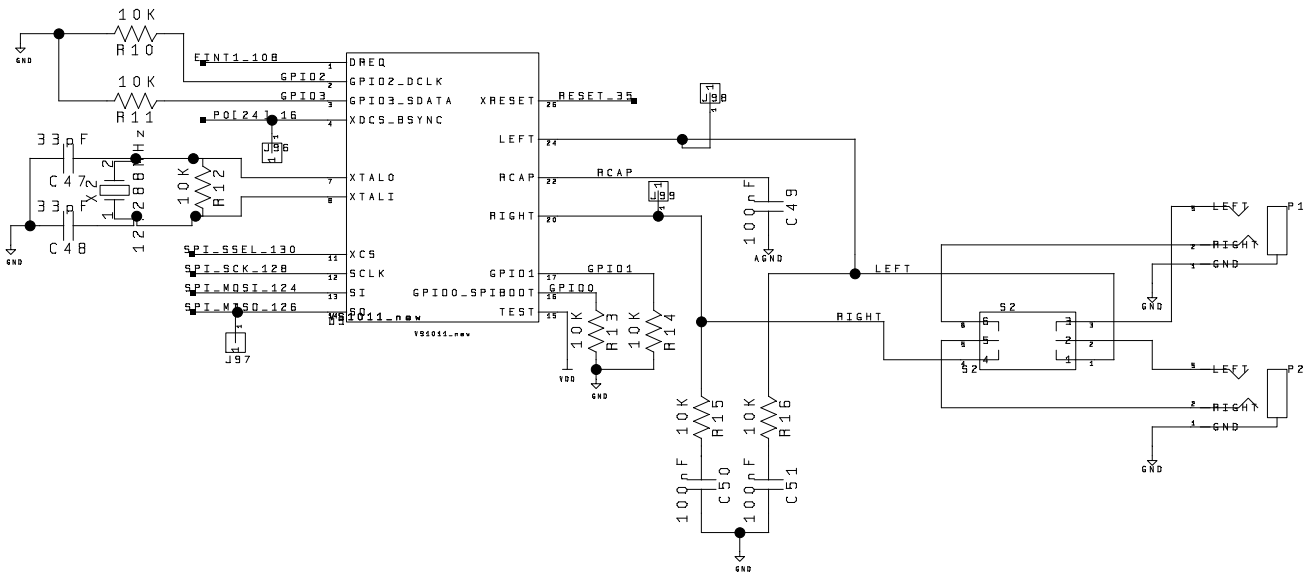
A

A

8 7 6 5 4 3 2 1



<b>Mentor Graphics</b>			
TITLE			
M U . S . E .			
DATE	REV	BY	APP
D			0
PROJECT	DESIGNER	CHECKED	DATE
			10-1-2003-10-31



Mentor  
Graphics®

TITLE  
M U . S . E .  
SIZE DWG NO  
B  
SCALE SHEET 3 of 6 10-1-2003-18-33 REV 0

DRAWN BY  
<YOUR NAME HERE>

4

3

2

1

B

B

A

A

D0-197	DQ0	DQ15	D15-28
D1-201	DQ1	DQ14	D14-21
D2-207	DQ2	DQ13	D13-7
D3-3	DQ3	DQ12	D12-1
D4-13	DQ4	DQ11	D11-208
D5-17	DQ5	DQ10	D10-205
D6-23	DQ6	DQ9	D9-199
D7-27	DQ7	DQ8	D8-194
DQM DUT0-49	DQML	DQMH	DQMOUT1-43
WE-179	WE#	CLK	CKEOUTD-59
CAS-87	CAS#	CKE	CKEOUT-53
RAS-95	RAS#		
CS0-73	CS#		
A12-149	BA0	A11	A11-145
A13-155	BA1	A9	A9-131
A10-135	A10	A8	A8-127
A0-75	A0	A7	A7-121
A1-79	A1	A6	A6-113
A2-83	A2	A5	A5-107
A3-97	A3	A4	A4-103

U7



TITLE	
M U . S . E .	
SIZE DWG NO	REV
B	0
SCALE	SHEET
<YOUR NAME HERE>	4 of 6
10-1-2003-18:33	

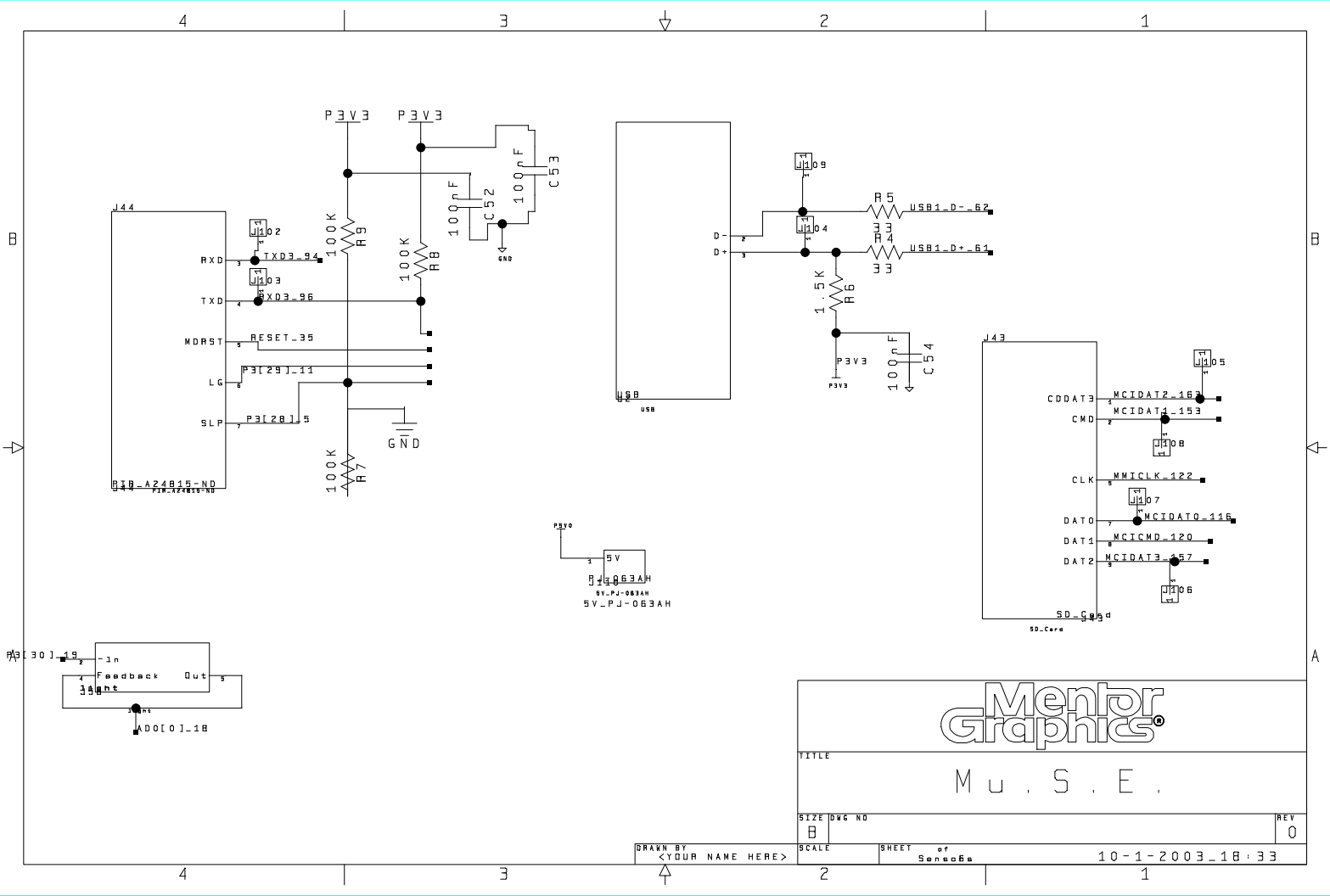
4

3

2

1

1



TITLE			REV
M U . S . E .			0
SIZE	DWG NO		
B			
SCALE	SHEET	of	SENSORS
			10-1-2003-18-33

DRAWN BY <YOUR NAME HERE>

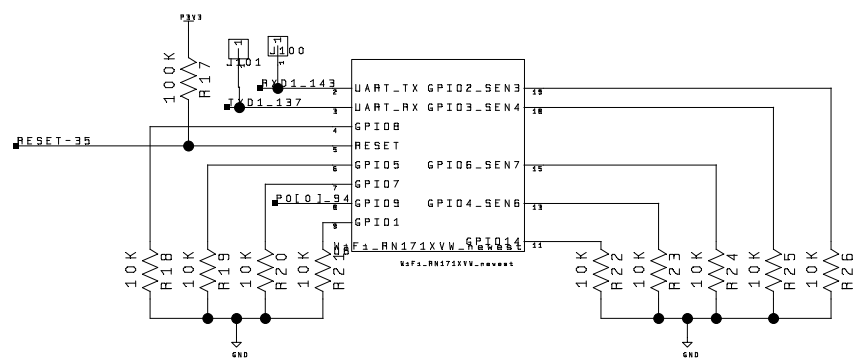
4 | 3 | 2 | 1

B

B

A

A



VcFa\_RN175XVW\_655554



TITLE		REV
M U . S . E .		0
SIZE	DWG NO	
B		
SCALE	SHEET	of
	6	6
DRAWN BY		
<YOUR NAME HERE>		
10-1-2003-18-33		

4 | 3 | 2 | 1