

ECE ECE145C (undergrad) and ECE218c (graduate)

Mid-Term Exam. Nov 13, 2003

Do not open exam until instructed to.

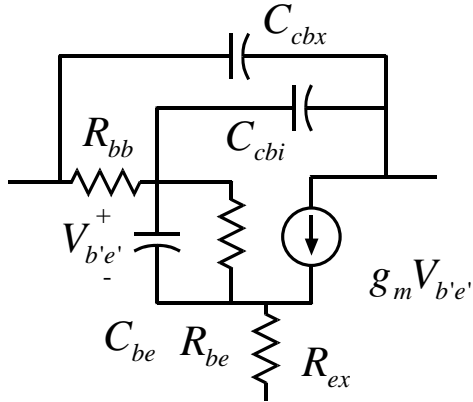
Open book

Use any and all reasonable approximations (5% accuracy is fine.) , ***AFTER STATING THEM.***

Name: _____

Problem 1, 50 points

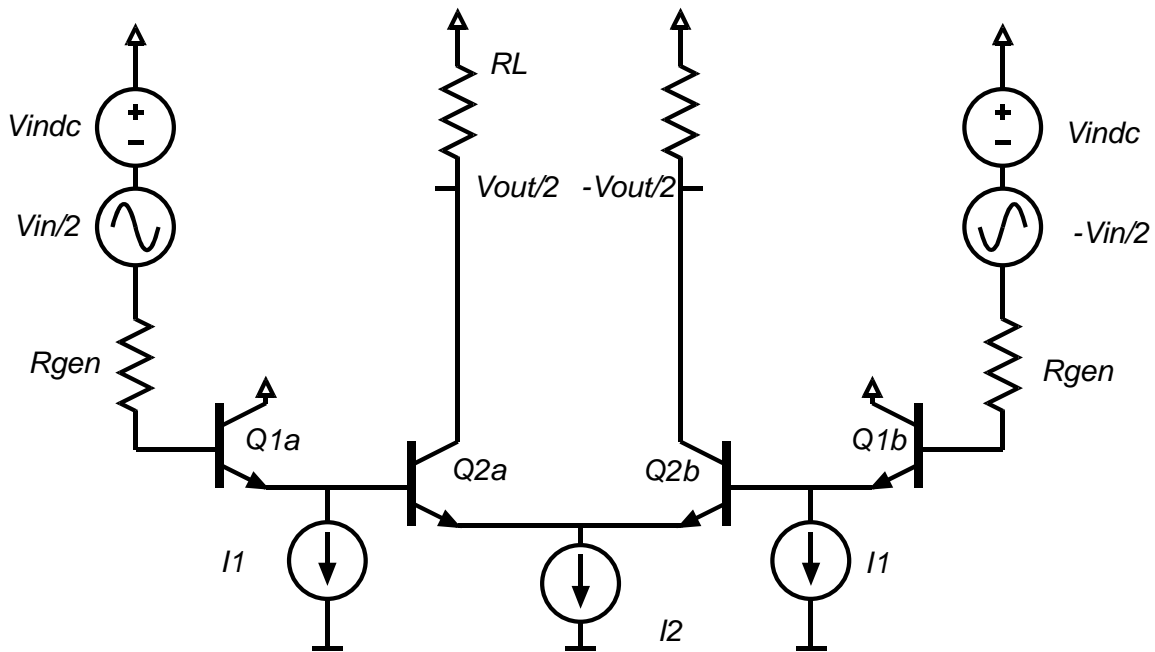
You will be using the device model below:



$C_{be} = C_{be,depl} + g_m \tau_f \cdot C_{je} = 14$ fF,
 $\beta = \infty$, $C_{cbi} = 2.2$ fF, $C_{cb_total} = 4.3$ fF,
 $R_{bb} = 21$ Ohms, $R_{ex} = 4$ Ohms, and $\tau_f = 0.44$ ps. This transistor model has $2.5 \mu\text{m}^2$ emitter area

The transistors have a $V_{be} = 0.9$ Volts when operating at $2.0 \text{ mA}/\mu\text{m}^2$.

You will be working on the circuit below. Please note that because the exam is open-book, the circuit is by necessity somewhat unusual.

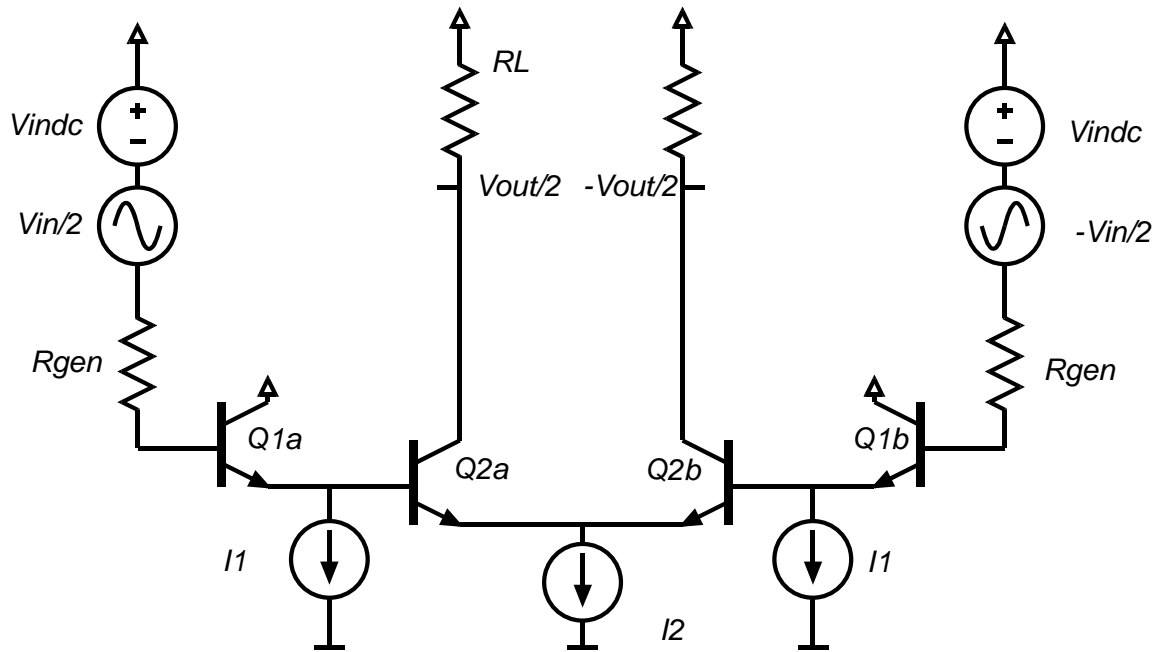


The circuit diagram is 100% mirror-symmetric.
 All transistors are $2.5 \mu\text{m}^2$ emitter area
 $I_1 = I_2 = I_3 = 5 \text{ mA}$, $R_L = 200$ Ohms, $R_f = R_{gen} = 50$ Ohms. $V_{indc} = 500$ mV (e.g. the inputs are at -500 mVdc).

Part a. 5 points

DC bias.

Draw all DC node voltages and branch currents directly on the circuit diagram.



Part b, 15 points

Midband gains

Find the mid-band gain $V_{out}/V_{in} = \underline{\hspace{2cm}}$

In order to receive partial credit, it is essential to show appropriate work and small-signal equivalent circuit diagrams.

Part c, 5 points
device models

Please enter the device parameter values below.

transistor	Rbe	Rbb	Rex	Cbe	Ccbi	gm
Q1a						
Q2a						
Q3a						

Part d, 25 points

high frequency analysis

Find the first-order time constants of the circuit:

first order time constant due to C_{cbx} of Q1a= _____

first order time constant due to C_{cbi} of Q1a= _____

first order time constant due to C_{be} of Q1a= _____

first order time constant due to C_{cbx} of Q2a= _____

first order time constant due to C_{cbi} of Q2a= _____

first order time constant due to C_{be} of Q2a= _____

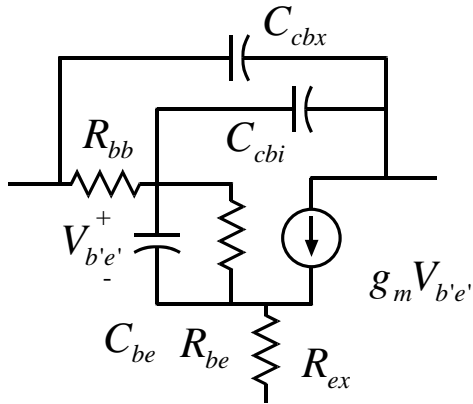
Total first order time constant= _____

There are too many 2nd-order time constants to calculate them all; please find only one:
second order time constant due to C_{be} of Q1a and C_{be} of Q2a= _____

Please show all your work clearly below

Problem 2, 50 points

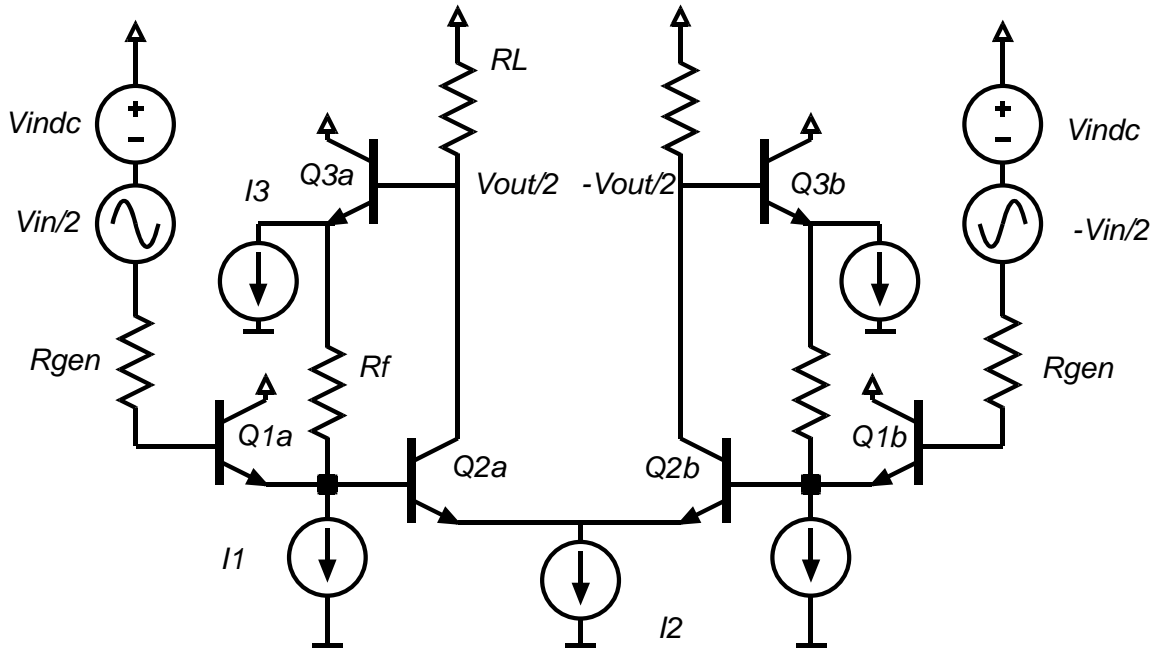
You will be using the device model below:



$C_{be} = C_{be,depl} + g_m \tau_f$. $C_{je} = 14$ fF,
 $\beta = \infty$, $C_{cbi} = 4.3$ fF, $C_{cbx} = 0$ fF, $R_{bb} = 0$
 Ohms, $R_{ex} = 0$ Ohms, and $\tau_f = 0.44$ ps. This
 transistor model has $2.5 \mu\text{m}^2$ emitter area.

The transistors have a $V_{be} = 0.9$ Volts when
 operating at $2.0 \text{ mA}/\mu\text{m}^2$.

You will be working on the circuit below. Please note that because the exam is open-book, the circuit is by necessity somewhat unusual. This problem most definitely requires thinking, rather than "plug and grind".



The circuit diagram is 100% mirror-symmetric.

All transistors are $2.5 \mu\text{m}^2$ emitter area

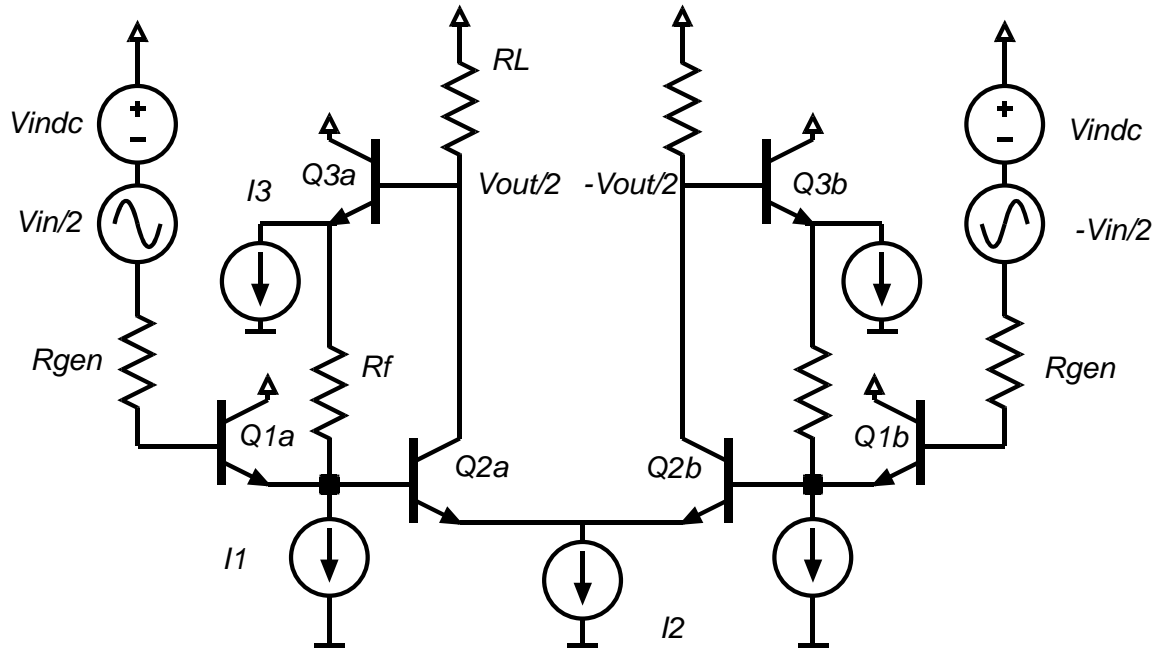
$I_1 = I_2 = I_3 = 5$ mA, $R_L = 200$ Ohms, $R_f = R_{gen} = 50$ Ohms. $V_{indc} = 500$ mV (e.g. the inputs are at -500 mVdc).

Q1a/b and Q3a/b have zero base-emitter and base-collector capacitance

Part a. 5 points

DC bias.

Draw all DC node voltages and branch currents directly on the circuit diagram.



Part b, 5 points

Circuit representations

First draw a half-circuit equivalent circuit model of the amplifier, representing the transistors with transistor symbols. Then draw a second half-circuit equivalent circuit model of the amplifier, representing the transistors with hybrid pi models.

Part c. 15 points

Midband gains (NOT EASY!)

Using nodal analysis (or other methods you prefer), find the mid-band gain V_{out}/V_{in} . Please note that the feedback effect of R_f has a major effect and cannot be ignored.

Part d, 5 points
device models

Please enter the device parameter values below.

transistor	Cbe	Ccbi	gm
Q1a			
Q2a			
Q3a			

Part e. 20 points

high frequency analysis

Now find the first-order and second order time constants of the circuit. ***This is quite difficult, and will require clear understanding of the definitions of R_{11}^0 , etc.*** Defining Cbe of Q2a as C_1 and Ccb of Q2a as C_2 , Find R_{11}^0 , R_{22}^0 , R_{22}^1 . Show all of your work clearly

