



Lensed Fiber

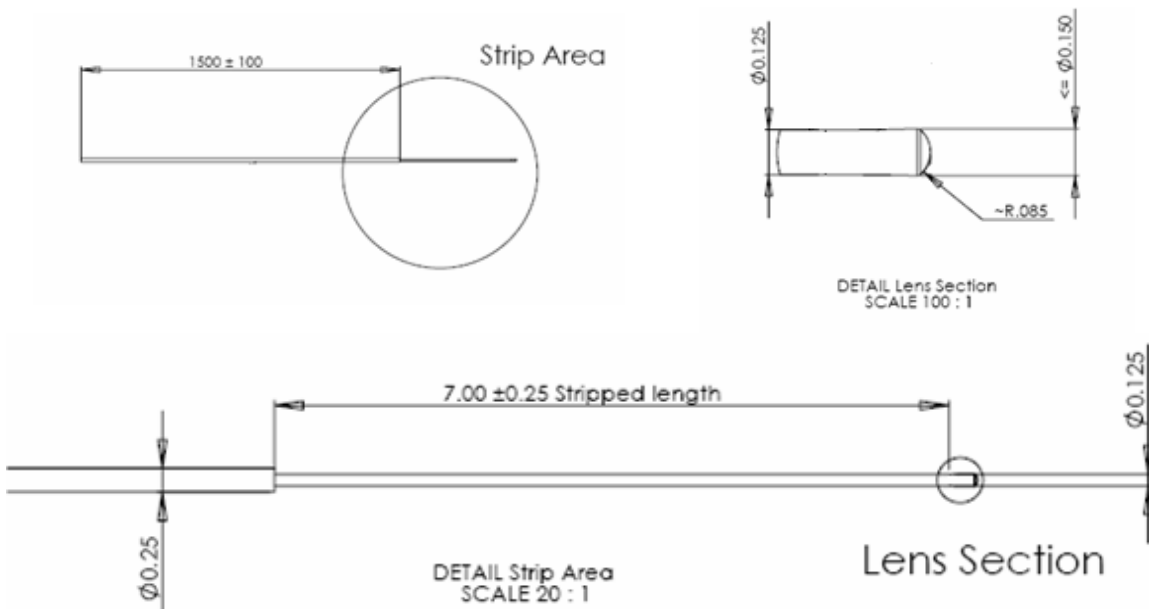
Spec Review No.: SR5175 Date: April 14, 2010

Specifications

| Parameter | Unit | |
|--|------|---------|
| Fiber Length | mm | ≥ 1400 |
| Coupling Efficiency of a pair of fibers Before Coating Without AR Coating* | -- | ≥ 80% |
| Excess Loss | dB | ≤ 0.05 |
| Return Loss | dB | ≥ 30 |
| Fiber Type | -- | HI 1060 |

* customized AR coating available upon request

Dimensions



Note: Radius(R) is only for information.

Order Information

LF-03-1-1