



1030nm Polarization Insensitive Single Stage & Dual Stage Isolator (PSSI&PDSI Series)

Spec Review No. SR1642

Date: Aug 4, 2005



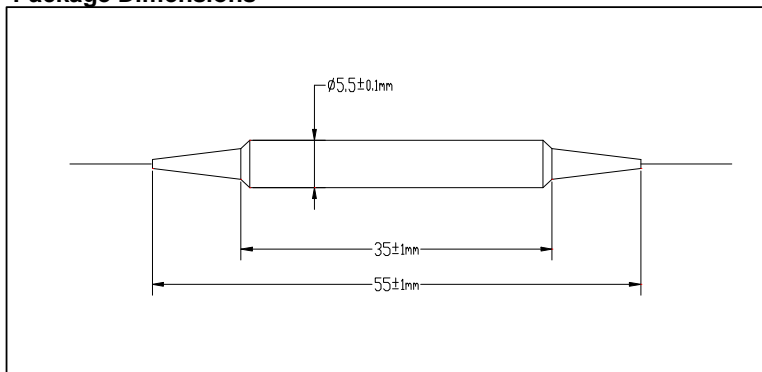
Specifications

Parameters	Unit	Single Stage		Dual Stage	
		Grade P	Grade A	Grade P	Grade A
Center Wavelength (λ_c)	nm	1030			
Typ. Peak Isolation	dB	25	23	45	42
Min. Isolation at 23°C; $\lambda_c \pm 10$ nm all polarization states	dB	20	18	40	38
Typ. Insertion Loss at 23°C; λ_c , all polarization states	dB	2.9	3	5	5.4
Max. Insertion Loss at -5°C-50°C; λ_c , all polarization states	dB	3.8	4	7.5	8
Min. Return Loss (Input/Output)	dB	55/50	55/50	55/50	55/50
Max.PDL at 23°C	dB	0.2	0.2	0.2	0.2
Max. Optical Power	mW	50			
Max. Tensile Load	N	5			
Fiber Type		HI 1060 Fiber			
Operating Temperature	°C	-5 to +50			
Storage Temperature	°C	-40 to +85			

*Above specifications are for device without connector.

*For devices with connectors, IL will be 0.3dB higher, RL will be 5dB lower.

Package Dimensions



Ordering Information

PSSI-03-①-②-③-④

PDSI-03-①-②-③-④

①: Grade

P - Premium grade

A - A grade

②: Connector Type

1 - FC/UPC

2 - FC/APC

3 - SC/UPC

4 - SC/APC

5 - LC/UPC

6 - ST/UPC

N - None

S - Specify

③: Fiber Type

B - 250um bare fiber

L - 900um loose tube

C - 3mm loose cable

S - Specify

④: Fiber Length

1 - 1.0m

S - Specify