

INPHENIX

250 N. Mines Road
 Livermore, CA 94551
 Tel: 925-606-8809
 Fax: 925-606-8810

Certificate of Compliance

Model Number: IPSAD1501C-5113

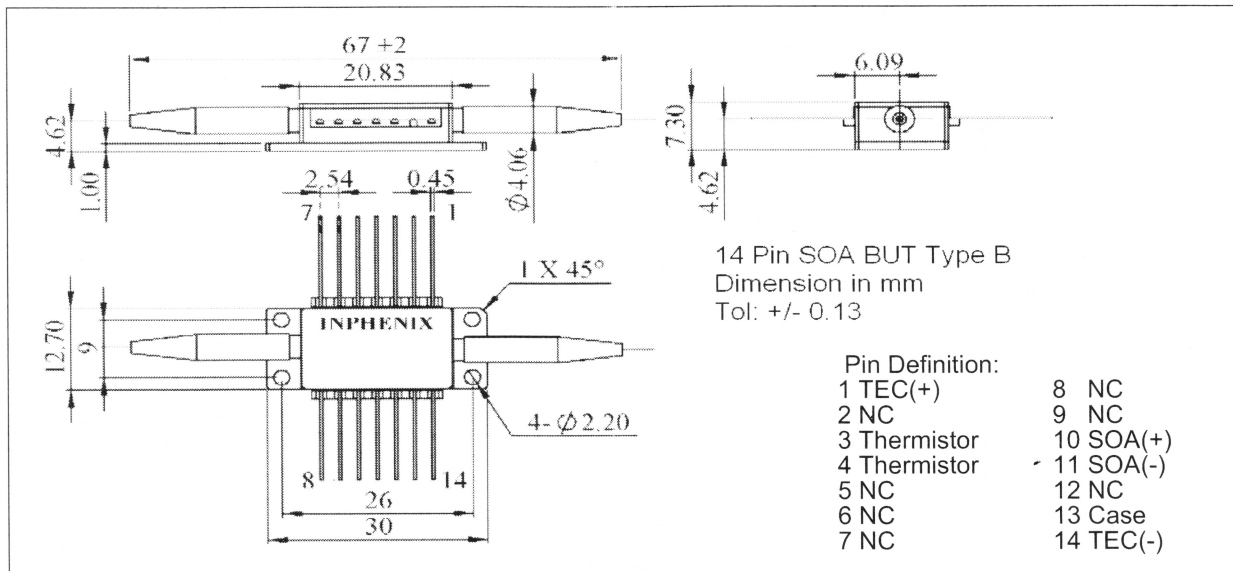
Serial Number: 860541748

Test Condition:

1	Operating Current	I_{op}	900	mA
2	Operating Temperature	T_{SOA}	25	Deg C

Inspection Data:

	Parameter	Symbol	Value	Unit	Comments
1	Peak Wavelength	λ_p	1520	nm	
2	3dB Bandwidth	$\Delta\lambda_{3dB}$	43	nm	
3	Small Signal Gain	G_{max}	30.0	dB	1520nm, Pin=-30dBm
4	Gain Ripple at Max Gain	ΔG	0.60	dB	
5	Saturation Output Power	P_{sat}	15.0	dBm	1550nm
6	Noise Figure	NF	6.8	dB	1550nm, Pin=-30dBm
7	Polarization dependent Gain	PDG	2.0	dB	1550nm



We certify that the test values listed above meet all the requirements specified in the original order.

Signature:

Title:

Date:

[Signature]
 Test Engineer

07-17-2012

[Signature]
 QA&QC Manager

07-17-2012

INPHENIX

250 N. Mines Road
Livermore, CA 94551
Tel: 925-606-8809
Fax: 925-606-8810

S/N 860541748: Performance @ 25Deg C

