

Distributed by:



[www.Jameco.com](http://www.Jameco.com) ♦ 1-800-831-4242

The content and copyrights of the attached material are the property of its owner.

### Feature

- \* HIGH ILLUMINATION SENSITIVITY
- \* STABLE CHARACTERISTICS
- \* SPECTRALLY AND MECHANICALLY MATCHED WITH IR EMITTER
- \* NPN SILICON PHOTOTRANSISTOR

**PRELIMINARY**

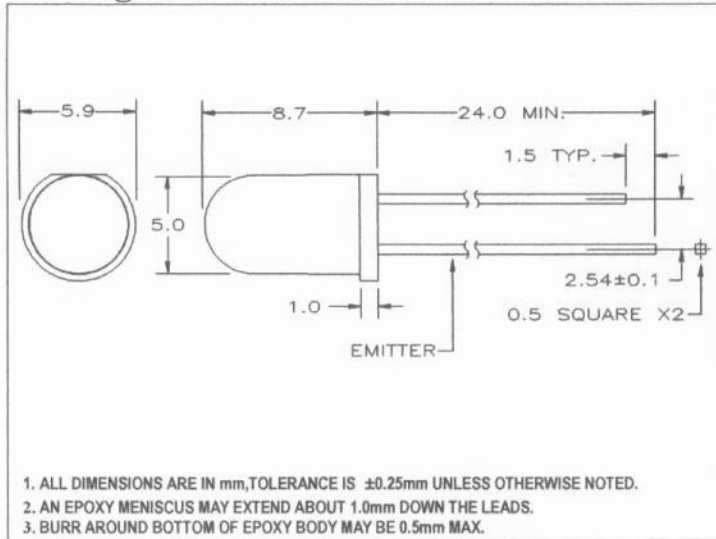
### Absolute Maximum Ratings at $T_A=25^\circ\text{C}$

OPERATING TEMPERATURE RANGE.....	-25°C TO +85°C
STORAGE TEMPERATURE RANGE.....	-25°C TO +100°C
LEAD SOLDERING TEMP. (1.6mm FROM BODY).....	260°C FOR 5 SEC.

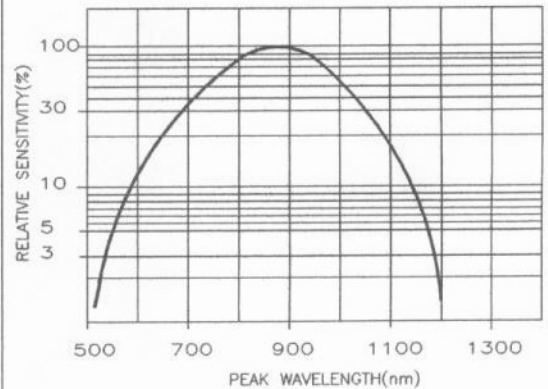
### Electrical/optical characteristics at $T_A=25^\circ\text{C}$

PART NUMBER	LENS COLOR	COLLECTOR-EMITTER BREAKDOWN VOLTAGE (V) $I_{CE0}=100\mu\text{A}$ $E_e=0$		EMITTER-COLLECTOR BREAKDOWN VOLTAGE (V) $I_{EC0}=100\mu\text{A}$ $E_e=0$		COLLECTOR-EMITTER SATURATION VOLTAGE (V) $I_c=0.5\text{mA}$ $E_e=20\text{mw/cm}^2$		COLLECTOR DARK CURRENT (nA) $V_{CE}=15\text{V}$ $E_e=0$		PHOTO CURRENT (nA) $V_{CE}=5\text{V}$ $E_e=20\text{mw/cm}^2$	
		MIN.		MIN.		MAX.		MAX.		TYP.	
UT1893-91-0125	WATER CLEAR	MIN.	30.0	MIN.	5.0	MAX.	1.3	MAX.	100	TYP.	20.0
UT1895-91-0125	BLUE CLEAR	MIN.	30.0	MIN.	5.0	MAX.	1.3	MAX.	100	TYP.	20.0

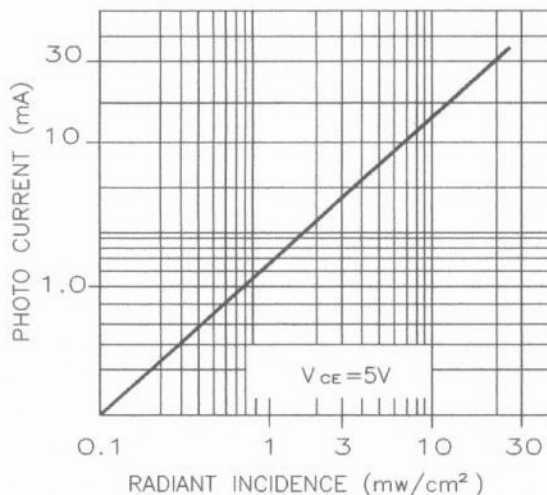
### Package Dimensions



### Relative Sensitivity VS. Peak Wavelength



### Photo Current VS. Radiant Incidence



### Max. Collector Dark Current VS. Ambient Temperature

