

# An IC Voltage Comparator for High Impedance Circuitry

National Semiconductor  
Linear Brief 12  
January 1970



An IC Voltage Comparator for High Impedance Circuitry

Robert J. Widlar  
Apartado Postal 541  
Puerto Vallarta, Jalisco  
Mexico

The IC voltage comparators available in the past have been designed primarily for low voltage, high speed operation. As a result, these devices have high input error currents, which limit their usefulness in high impedance circuitry. An IC is described here that drastically reduces these error currents, with only a moderate decrease in speed.

This new comparator is considerably more flexible than the older devices. Not only will it drive RTL, DTL and TTL logic; but also it can interface with MOS logic and FET analog switches. It operates from standard  $\pm 15V$  op amp supplies and can switch 50V, 50 mA loads, making it useful as a driver for relays, lamps or light-emitting diodes. A unique output stage enables it to drive loads referred to either supply or ground and provide ground isolation between the comparator inputs and the load.

Another useful feature of the circuit is that it can be powered from a single 5V supply and drive DTL or TTL integrated circuits. This enables the designer to perform linear functions on a digital-circuit card without using extra supplies. It can, for example, be used as a low-level photodiode detector, a zero crossing detector for magnetic transducers, an interface for high-level logic or a precision multivibrator.

Figure 1 shows a simplified schematic of this versatile comparator. PNP transistors buffer the differential input stage to get low input currents without sacrificing speed. Because the emitter base breakdown voltage of these PNPs is typically 70V, they can also withstand a large differential input voltage. The PNPs drive a standard differential stage. The output of this stage is further amplified by the Q<sub>5</sub>-Q<sub>6</sub> pair. This feeds a lateral PNP, Q<sub>9</sub>, that provides additional gain and drives the output stage.

The output transistor is Q<sub>11</sub> which is driven by the level shifting PNP. Current limiting is provided by R<sub>6</sub> and Q<sub>10</sub> to protect the circuit from intermittent shorts. Both the output and the ground lead are isolated from other points within the circuit, so either can be used as the output. The V<sup>-</sup> terminal can also be tied to ground to run the circuit from a single supply. The comparator will work in any configuration as long as the ground terminal is at a potential somewhere between the supply voltages. The output terminal, however, can go above the positive supply as long as the breakdown voltage of Q<sub>11</sub> is not exceeded.

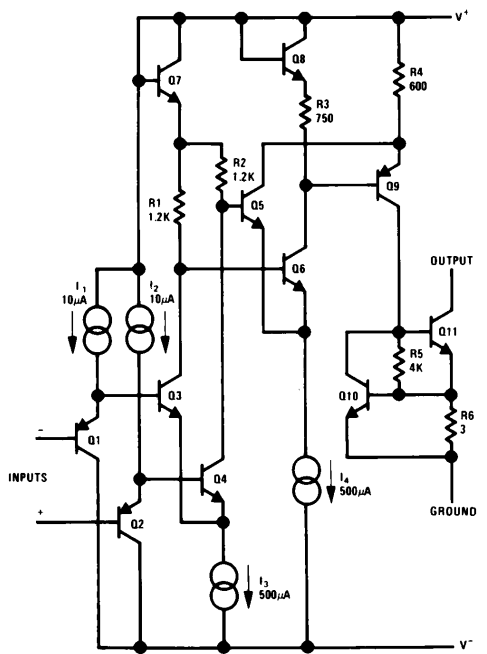
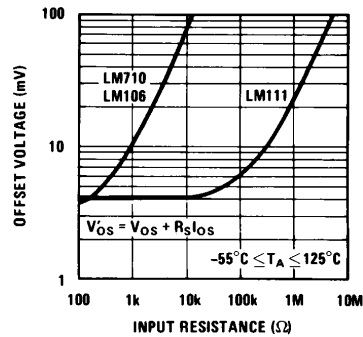


Figure 1. Simplified schematic of the LM111



TL/H/8463-2

Figure 2. Illustrating the influence of source resistance on worst case, equivalent input offset voltage

Figure 2 shows how the reduced error currents of the LM111 improve circuit performance. With the LM710 or LM106, the offset voltage is degraded for source resistances above 200Ω. The LM111, however, works well with source resistances in excess of 30 kΩ. Figure 2 applies for equal source resistances on the two inputs. If they are unequal, the degradation will become pronounced at lower resistance levels.

Table I gives the important electrical characteristics of the LM111 and compares them with the specifications of older ICs.

A few, typical applications of the LM111 are illustrated in Figure 3. The first is a zero crossing detector driving a MOS

LB-12

**Table I. Comparing the LM111 with earlier IC comparators. Values given are worst case over a  $-55^{\circ}\text{C}$  to  $+125^{\circ}\text{C}$  temperature range, except as noted.**

Parameter	LM111	LM106	LM710	Units
Input Offset Voltage	4	3	3	mV
Input Offset Current	0.02	7	7	$\mu\text{A}$
Input Bias Current	0.15	45	45	$\mu\text{A}$
Common Mode Range	$\pm 14$	$\pm 5$	$\pm 5$	V
Differential Input Voltage Range	$\pm 30$	$\pm 5$	$\pm 5$	V
Voltage Gain <sup>†</sup>	200	40	1.7	V/mV
Response Time <sup>†</sup>	200	40	40	ns
Output Drive Voltage	50	24	2.5	V
Output Drive Current	50	100	1.6	mA
Fan Out (DTL/TTL)	8	16	1	
Power Consumption	80	145	160	mW

<sup>†</sup>Typical at  $25^{\circ}\text{C}$ .

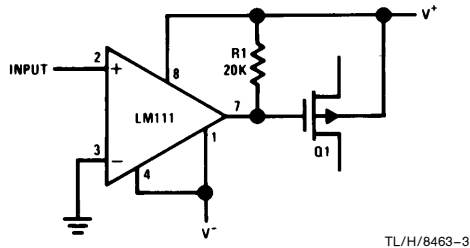
analog switch. The ground terminal of the IC is connected to  $V^-$ ; hence, with  $\pm 15\text{V}$  supplies, the signal swing delivered to the gate of  $Q_1$  is also  $\pm 15\text{V}$ . This type of circuit is useful where the gain or feedback configuration of an op amp circuit must be changed at some precisely-determined signal level. Incidentally, it is a simple matter to modify the circuit to work with junction FETs.

The second circuit is a zero crossing detector for a magnetic pickup such as a magnetometer or shaft-position pickoff. It delivers the output signal directly to DTL or TTL logic circuits and operates from the  $5\text{V}$  logic supply. The resistive divider,  $R_1$  and  $R_2$ , biases the inputs  $0.5\text{V}$  above ground, within the common mode range of the device. An optional offset balancing circuit,  $R_3$  and  $R_4$ , is included.

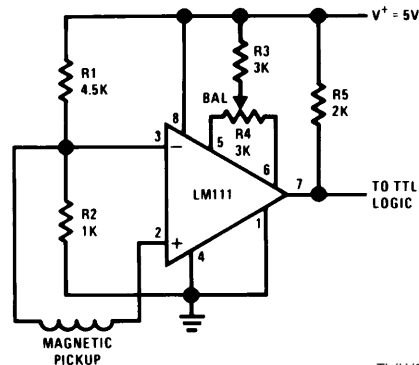
The next circuit shows a comparator for a low-level photodiode operating with MOS logic. The output changes state when the diode current reaches  $1\ \mu\text{A}$ . At the switching point, the voltage across the photodiode is nearly zero, so its leakage current does not cause an error. The output switches between ground and  $-10\text{V}$ , driving the data inputs of MOS logic directly.

The last circuit shows how a ground-referred load is driven from the ground terminal of the LM111. The input polarity is reversed because the ground terminal is used as the output. An incandescent lamp, which is the load here, has a cold resistance eight times lower than it is during normal operation. This produces a large inrush current, when it is switched on, that can damage the switch. However, the current limiting of the LM111 holds this current to a safe value.

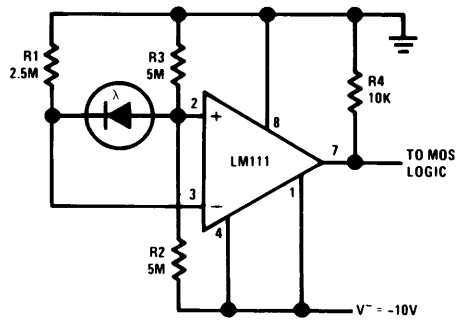
The applications described above show that the output-circuit flexibility and wide supply-voltage range of the LM111 opens up new fields for IC comparators. Further, its low error currents permit its use in circuits with impedance levels above  $1\ \text{k}\Omega$ . Although slower than older devices, it is more than an order of magnitude faster than op amps used as comparators.



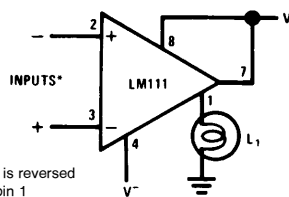
a. zero crossing detector driving analog switch



b. detector for magnetic transducer



c. comparator for low level photodiode



\*Input polarity is reversed when using pin 1 as output.

d. driving ground—referred load

**Figure 3. Typical applications of the LM111**

The LM111 has the same pin configuration as the LM710 and LM106. It is interchangeable with these devices in applications where speed is not of prime concern.



**LIFE SUPPORT POLICY**

NATIONAL'S PRODUCTS ARE NOT AUTHORIZED FOR USE AS CRITICAL COMPONENTS IN LIFE SUPPORT DEVICES OR SYSTEMS WITHOUT THE EXPRESS WRITTEN APPROVAL OF THE PRESIDENT OF NATIONAL SEMICONDUCTOR CORPORATION. As used herein:

1. Life support devices or systems are devices or systems which, (a) are intended for surgical implant into the body, or (b) support or sustain life, and whose failure to perform, when properly used in accordance with instructions for use provided in the labeling, can be reasonably expected to result in a significant injury to the user.
2. A critical component is any component of a life support device or system whose failure to perform can be reasonably expected to cause the failure of the life support device or system, or to affect its safety or effectiveness.



**National Semiconductor Corporation**  
1111 West Bardin Road  
Arlington, TX 76017  
Tel: 1(800) 272-9959  
Fax: 1(800) 737-7018

**National Semiconductor Europe**  
Fax: (+49) 0-180-530 85 86  
Email: onjwge@tevm2.nsc.com  
Deutsch Tel: (+49) 0-180-530 85 85  
English Tel: (+49) 0-180-532 78 32  
Français Tel: (+49) 0-180-532 93 58  
Italiano Tel: (+49) 0-180-534 16 80

**National Semiconductor Hong Kong Ltd.**  
19th Floor, Straight Block,  
Ocean Centre, 5 Canton Rd.  
Tsimshatsui, Kowloon  
Hong Kong  
Tel: (852) 2737-1600  
Fax: (852) 2736-9960

**National Semiconductor Japan Ltd.**  
Tel: 81-043-299-2309  
Fax: 81-043-299-2408