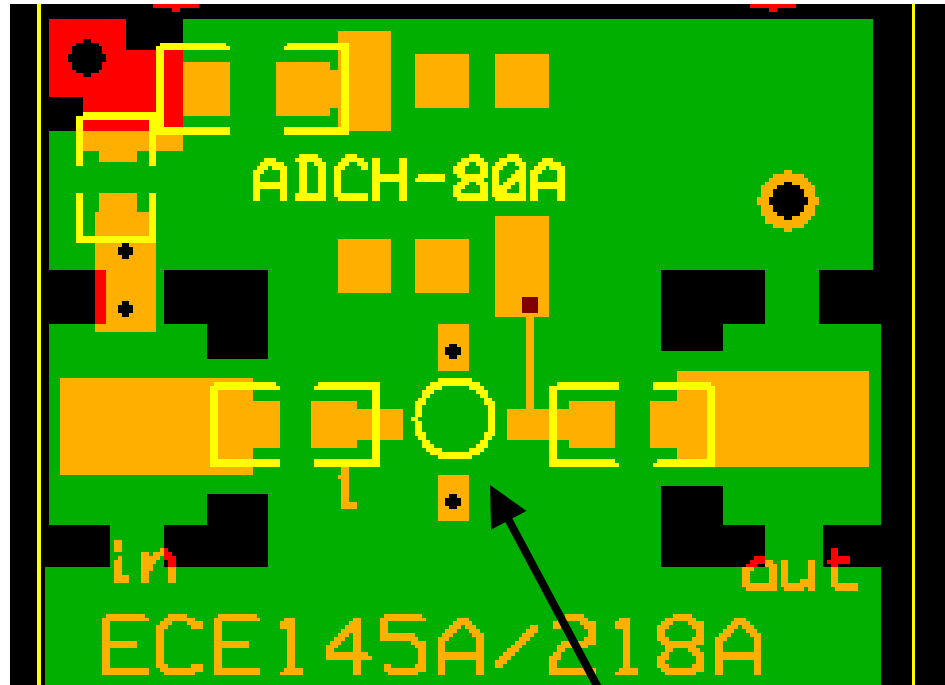


ECE145A LAB 2 PCB

VCC



ERA-1



Test fixture for 0805 and 0603 SMT caps and inductors